

**Owner's Manual  
And  
Assembly Instructions**



**The Durango**

**Model: 1-AP016-06**



# Adventure Playsets

Amarillo Texas 79119

Thank you for purchasing an Adventure Playsets Playcenter. We hope it will bring you and your children many years of safe and enjoyable backyard fun.

## Table of Contents

Letter to Customer .....	2
Positioning Your Playcenter .....	3
Tools Required for Assembly .....	3
Helpful Installation Hints .....	4
Suggested Playground Surfacing .....	5
Operating Instructions .....	6
Maintenance Instructions .....	7
Disposal Instructions .....	7
CPSC Information Sheet .....	8
Assembly Instructions .....	9
Frequently Asked Questions .....	34
Customer Notes .....	35
Limited Warranty .....	37
Warranty Claim Procedure .....	38
Customer Registration Card .....	39
UK Registration Card .....	41

Your owner's manual should be read carefully before starting assembly.



## **STOP...PLEASE READ!!**

IF YOU HAVE ANY QUESTIONS OR ARE MISSING A PART, PLEASE DO NOT CONTACT THE RETAILER THAT YOU PURCHASED THIS PRODUCT FROM.

PLEASE CALL US DIRECTLY  
AT THE FACTORY, 1-800-856-4445,  
OUR TRAINED STAFF WILL ANSWER YOUR  
QUESTIONS AND OR EXPEDITE PARTS  
THAT YOU MAY NEED.

Dear Customer:

Thank you for purchasing an Adventure Playsets Playcenter. We hope it will bring you and your children many years of safe and enjoyable backyard fun. Adventure Playsets equipment is recommended for use by **children 3 to 10 years of age**. Adventure Playsets structures are **not intended for public use**. **Adventure Playsets does not warranty any of its residential structures subjected to commercial use.**



**WARNING:** This Symbol points out important safety instructions which, if not followed, could endanger the personal safety of yourself and your children and/or damage your property. You **MUST** read and follow all instructions in this manual before attempting to use this playcenter.



**WARNING:** Children must **NOT** use this playcenter until unit has been completely assembled and inspected by an adult to insure set has been properly installed and anchored.

Please follow all recommendations below. **Failure to do so may result in the warranty being void and/or safety violations that could result in serious injury.** The following information has been provided to help you in your installation, continued satisfaction, and safe operation of your Adventure Playsets purchase.

Always keep the safety of your children in mind as your play structure is being built and as your children play on the set. Before your children play on the set please review the Operation Instructions with them to help ensure their safety.

**PLEASE RETAIN THESE INSTRUCTIONS FOR FUTURE REFERENCE.**  
**KEEP THEM IN A SAFE PLACE WHERE YOU CAN REFER TO THEM AS NEEDED.**

Please do **NOT** return the playcenter to the retailer from which it was purchased, without first contacting Customer Service.

### ***General Information:***

*Please take time and fill out the information below. This information will be needed for warranty issues.*

**Date of Purchase:** \_\_\_\_\_ **Date stamped on box:** \_\_\_\_\_

**Manufacturer:** Adventure Playsets **Vendor:** \_\_\_\_\_

14201 Interstate 27 \_\_\_\_\_

Amarillo, TX 79119 \_\_\_\_\_

Ph. #: 1-800-856-4445 \_\_\_\_\_

Fax: 806-622-1515 \_\_\_\_\_

E-mail: **custservice@adventureplaysets.com**

Website: **http://www.adventureplaysets.com**

### **Unit Type:**

Unit Name: The Durango

Revision Date: 09/22/05

Unit Model Number: 1-AP016-06

Maximum Fall Height:



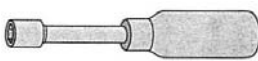
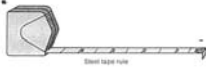


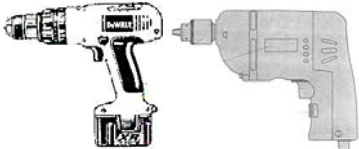



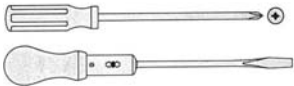

6'-11"

The instructions and owner's manual for your new Playcenter should be read in its entirety before assembly, to minimize problems and safety issues. We recommend reading the owner's manual thoroughly after you have identified all of the parts for your Playcenter as discussed in the Helpful Installations Hints section below.

### ***Positioning Your Play center***

1. The Playcenter is designed to be installed on a level surface **by an Adult with an Adult helper**. Try to place in a flat area of your yard to minimize ground preparation.
2. Place the equipment not less than 6 ft from any structure or obstruction such as a fence, garage, house, overhanging branches, laundry lines, or electrical wires.
3. It is a good idea to place your Playcenter in an area that is convenient for adults to watch children at play.
4. The area that you choose should be policed for glass, rocks or anything jagged or sharp that could endanger your children's safety. The surface underneath your play system can cause or prevent injuries. We have additional suggestions in the Suggested Playground Surfacing Section.
5. Do not build your playset on top of surfacing material.

### ***Tools Required for Installation:***

		
<b>(Level 24")</b>	<b>(Open end Wrenches 1/2" &amp; 7/16")</b>	<b>(Nut drivers 1/2" &amp; 9/16")</b>
		
<b>(Tape Measure)</b>	<b>(3/8" Drive Ratchet, 1/2" &amp; 9/16" std sockets 1/2" &amp; 9/16 deep sockets)</b>	<b>(Claw Hammer)</b>
		
<b>( 3/8" Cordless Drill or Electric drill)</b>	<b>(3/16", 5/16" &amp; 3/8" drill bits)</b>	<b>(Drill attachments: Phillips head screw 3/8" Socket Driver Torque head screw)</b>
		
<b>(An Adult w/an Adult helper)</b>	<b>(Phillips &amp; Straight Blade screw drivers)</b>	<b>(Rubber Mallet –Optional)</b>

## *Helpful Installation Hints*

1. Depending on your experience, assembly of this Play set should take approximately 6 to 12 hours after inventory of parts. Therefore, we recommend you set aside a full day for assembly.
2. Identify all of the parts for your Playcenter. Empty each box and lay out boards so you can see each part. Your instruction book will have detailed drawings that will make it easy for you to recognize individual parts. Keep all hardware and metal parts separate from wooden pieces.
3. After everything is laid out, check carefully to ensure all parts are present. Make sure there are no broken boards.
4. Find an area to sort your hardware. It is best to open the hardware on a solid surface so that you do not lose any pieces in the grass. This will save time and familiarize you with all the different pieces in the hardware bag.
5. Important note: Wood has some natural defects such as knots, surface cracks, etc... We reject parts that are structurally defective. We use a high quality lumber in our structures; however, you should inspect each part for splinters or rough spots and sand them smooth to prevent injury.
6. After steps 1 thru 4 have been completed, read all the way through the instructions completely. Reading instructions after you have studied the parts will help you understand more clearly the installation process, and help to eliminate unnecessary mistakes.
7. Pay close attention to the diameter and length of each bolt and screw. There will be different sizes in the same bag, so they must be sorted correctly.
8. Swing hangers should be buried past the threads, so that the loop is against the swing beam. Adventure Playsets is not responsible for incorrect installations of swing hangers. Failure to properly install swing hangers may cause severe injury.
9. Never tighten hardware completely at first. It helps to have some adjustment for bolt alignment while you are attaching parts together. After everything is square, tighten each joint.
10. After the main unit is assembled it is critical that the floor is level and square. If the main frame is not level, the walls and floor will be out of square.
11. After you complete installation, make sure every bolt, screw, and nut is tight, and every board is secure. Wood will expand and contract with the seasons. Check all bolt connections and swing hangers every two weeks.
12. Place the set on level ground, not less than 6ft from any structure or obstruction such as a fence, garage, house, overhanging branches, laundry lines, or electrical wires.

## READ! VERY IMPORTANT!

If you are missing parts or have questions regarding the installation of our quality product PLEASE call us directly at the factory (1-800-856-4445). Our trained staff will be happy to assist you.

**Customer service hours:**  
**Monday thru Friday 9am to 5pm**  
**Saturday 9am to 2pm**  
**Central Standard Time.**

E-mail: [custservice@adventureplaysets.com](mailto:custservice@adventureplaysets.com)

### ATTENTION: UK CUSTOMERS

We thank you for purchasing our excellent quality play equipment. We are sure that you will be satisfied with your selection. However, should you experience any problems or require any advice, do not return the item to the store, please contact our European Customer Service Number below. To ensure a prompt and efficient handling of your query please have your assembly instructions ready when you call.



Tel: 08700 170580 or email us at [info@plumproducts.com](mailto:info@plumproducts.com)

### *Suggested Playground Surfacing*

- ❑ Playground equipment should never be placed on hard surfaces such as concrete or asphalt.
- ❑ Shredded bark mulch, wood chips, fine sand and fine gravel, are added as shock absorbing materials after assembly. If used properly these materials can absorb some of the impact of a child's fall.
- ❑ All surface material should extend a minimum of 6 feet in all directions around the play area.

**The following chart explains the fall height in feet from which a life threatening head injury would not be expected**

### Critical Heights in feet (m) of Tested Materials

Material	Uncompressed Depth			Compressed Depth
	6" (152mm)	9" (228mm)	12" (304mm)	to 9" (228mm)
Wood Chips	7' (2.13m)	10' (3.05m)	11' (3.35m)	10' (3.05m)
Double-Shredded bark mulch	6' (1.83m)	10' (3.05m)	11' (3.35m)	7' (2.13m)
Engineered Wood Fibers	6' (1.83m)	7' (2.13m)	>12' (3.66m)	6' (1.83m)
Fine Sand	5' (1.52m)	5' (1.52m)	9' (2.74m)	5' (1.52m)
Coarse Sand	5' (1.52m)	5' (1.52m)	6' (1.83m)	4' (1.22m)
Fine Gravel	5' (1.52m)	7' (2.13m)	10' (3.05m)	6' (1.83m)
Medium Gravel	5' (1.52m)	5' (1.52m)	6' (1.83m)	5' (1.52m)
Shredded Tires*	10-12' (3.0-3.6m)	N/A	N/A	N/A

\*This data is from tests conducted by independent testing laboratories on a 6-inch depth of uncompressed shredded tire samples produced by four manufacturers. The tests reported critical heights, which varied from 10 feet to greater than 12 feet. It is recommended that persons seeking to install shredded tires as a protective surface request test data from the supplier showing the critical height of the material when it was tested in accordance with ASTM F1292.

## *Operating Instructions:*



**NOTE:** Your children's safety is our #1 concern. Observing the following statements and warnings reduces the likelihood of serious or fatal injury. Please review these safety rules regularly with your children.

1. This Playcenter is designed for the use of 3 occupants who have a combined weight not exceeding 280 pounds.
2. On-site adult supervision is **required**.
3. Instruct children **not** to walk close to, in front of, behind, or between moving swings or other moving playground equipment.
4. Instruct children to sit in and **never** stand on swings
5. Instruct children **not** to twist the chains and ropes and not to loop them over the top support bar, since this may reduce the strength of the chain or rope.
6. Instruct children **not** to jump from swings or other playground equipment in motion.
7. Instruct children to **not push** empty seats. The seat may hit them and cause serious injury.
8. Instruct and teach children to sit in the center of the swings with their full weight on the seats.
9. Instruct children **not** to use the equipment in a manner other than intended.
10. Instruct children to **always** go down slides feet first. Never slide headfirst.
11. Instruct children to **look** before they slide to make sure no one is at the bottom.
12. Instruct children to **never** run up a slide, as this increases their chances of falling.
13. The parents should have the children **dress appropriately** with well-fitting shoes. Loose clothing such as scarves and ponchos should not be worn. Always take off, tie up or tuck in cords and drawstrings on children's clothing. These things can get caught on playground equipment and strangle a child.
14. Instruct children **not** to climb when the equipment is wet.
15. Instruct children to **never** jump from a fort deck. They should always use the ladder, ramp or slide.
16. Instruct children to **never** crawl or walk across the top of monkey bars.
17. Instruct children to **never** crawl on top of a fort roof.
18. Verify that any suspended climbing ropes, chain, or cable are secured at both ends and that they cannot be looped back on it.
19. Instruct children **not** to attach items to the playground equipment that are not specifically designed for use with the equipment, such as, but not limited to, jump ropes, clothesline, pet leashes, cables and chain as they may cause a strangulation hazard.
20. Instruct children to **never** use Monkey Bar when swings or glider are in use.
21. Instruct children to **never** wrap their legs around swing chain.
22. Instruct children to **never** slide down the swing chain.



## ***Maintenance Instructions:***

1. Check all nuts and bolts twice monthly during the usage season and tighten as required. (But not so tight that you crack the wood) We recommend you check the swing beam and hardware every two weeks due to wood expansion and contraction. It is particularly important that this procedure be followed at the beginning of each season.
2. Remove plastic swing seats and take indoors or do not use when the temperature drops below 32 °F.
3. Oil all metallic moving parts monthly during the usage period.
4. Check all coverings for bolts and sharp edges twice monthly during usage season to be certain they are in place. Replace when necessary. It is especially important to do this at the beginning of each new season.
5. Check swing seats, ropes, cables and chains monthly during usage season for evidence of deterioration. Replacement should be made of any swing seat that has developed cracks in the plastic seats or has exposed metal in the edges of the swing seat. If there are already exposed metal inserts on the edge of the seat, immediately remove the seats and chains to prevent serious injury. Ropes, cables and chains should be removed and replaced if excessive wear is found. Contact Adventure Playsets for replacement parts.
6. For rusted areas on metallic members such as monkey bars, hand supports, brackets, etc., sand and repaint, using a non lead-based paint meeting the requirements of Title 16 CRF Part 1303.
7. Inspect wood parts monthly. The grain of the wood sometimes will lift in the dry season causing splinters to appear. Light sanding may be necessary to maintain a safe playing environment. If you are treating your Playcenter with stain regularly, it will help prevent severe checking/splitting and other weather damage.
8. We recommend treating the wood components once or twice a year depending on the type of weather you have and when sanding has been required to maintain a good surface. We treat our wood with a waterborne transparent stain.
9. Creating and maintaining the Playcenter on a level location is very important. As your children play, your Playcenter will slowly dig its way into the soil, and it is very important that it settles evenly. Make sure the play set is level and true once each year or at the beginning of each play season.

## ***Disposal Instructions:***

When the Playcenter use is no longer desired, it should be disassembled and disposed of in such a way that no unreasonable hazards will exist at the time the unit is discarded.

<b>NOMINAL MATERIAL SIZES</b>			
<b>NAMED SIZE</b>		<b>TRUE SIZE</b>	
Imperial (")	Metric (mm)	Imperial (")	Metric (mm)
1x6	2.5x15.3	3/4x5 1/2	1.9x14
5/4x4	3.2x10.2	1x3 1/2	2.5x9
5/4x6	3.2x15.3	1x5 1/2	2.5x14
2x2	5x5	1 1/2x1 1/2	3.8x3.8
2x3	5x7.6	1 1/2x2 1/2	3.8x6.4
2x4	5x10	1 1/2x3 1/2	3.8x9
2x6	5x15.3	1 1/2x5 1/2	3.8x14
4x4	10x10	3 1/2x3 1/2	9x9
Estimated Sizing Due to Molding of Wood			

## APPENDIX A

### *Information on Playground Surfacing Materials:*

The following information is from the *United States Consumer Product Safety Commission's Information Sheet for playground surfacing material*. Also see the following website for additional information: [www.cpsc.gov/cpscpub/pubs/323.html](http://www.cpsc.gov/cpscpub/pubs/323.html).

#### X3. CONSUMER INFORMATION SHEET FOR PLAYGROUND SURFACING MATERIALS<sup>11</sup>

X3.1 The U.S. Consumer Product Safety Commission (CPSC) estimates that about 100,000 playground equipment-related injuries resulting from falls to the ground surface are treated annually in U.S. hospital emergency rooms. Injuries involving this hazard pattern tend to be among the most serious of all playground injuries, and have the potential to be fatal, particularly when the injury is to the head. The surface under and around playground equipment can be a major factor in determining the injury-causing potential of a fall. It is self evident that a fall onto a shock-absorbing surface is less likely to cause a serious injury than a fall onto a hard surface. Playground equipment should never be placed on hard surfaces such as concrete or asphalt and while grass may appear to be acceptable it may quickly turn to hard packed earth in areas of high traffic. Shredded bark mulch, wood chips, fine sand or fine gravel are considered to be acceptable shock absorbing surfaces when installed and maintained at a sufficient depth under and around playground equipment.

X3.2 Table X3.1 lists the maximum height from which a child would not be expected to sustain a life-threatening head injury in a fall onto four different loose-fill surfacing materials if they are installed and maintained at depths of 6, 9, and 12 in. However, it should be recognized that all injuries due to falls cannot be prevented no matter what surfacing material is used.

X3.3 It is recommended that a shock absorbing material should extend a minimum of 6 ft in all directions from the perimeter of stationary equipment such as climbers and slides. However, because children may deliberately jump from a moving swing, the shock absorbing material should extend in the front and rear of a swing a minimum distance of 2 times the height of the pivot point measured from a point directly beneath the pivot on the supporting structure.

X3.4 This information is intended to assist in comparing the relative shock-absorbing properties of various materials. No particular material is recommended over another. However, each material is only effective when properly maintained. Materials should be checked periodically and replenished to maintain correct depth as determined necessary for your equipment. The choice of a material depends on the type and height of the playground equipment, the availability of the material in your area, and its cost.

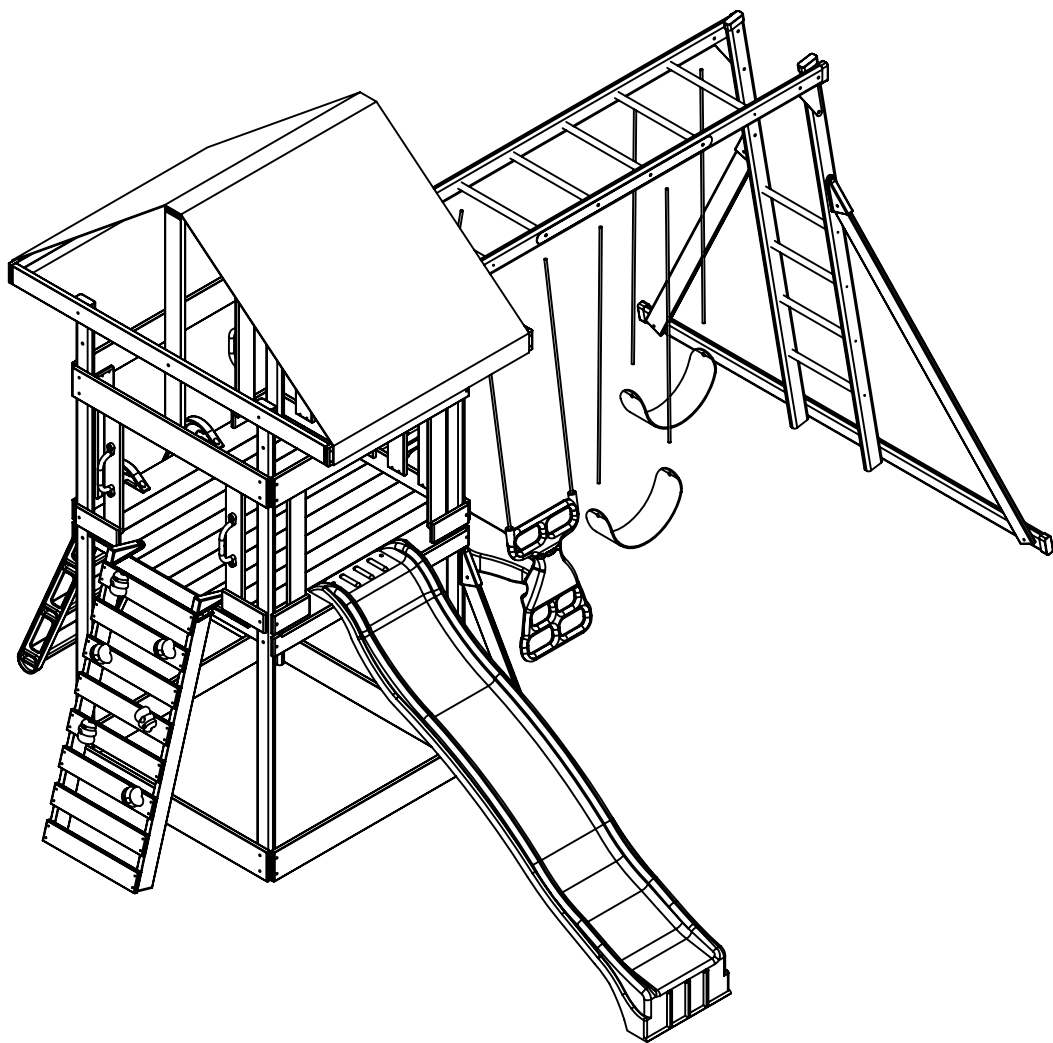
<sup>11</sup>This information has been extracted from the CPSC publications "Playground Surfacing — Technical Information Guide" and "Handbook for Public Playground Safety." Copies of these reports can be obtained by sending a postcard to: Office of Public Affairs, U.S. Consumer Product Safety Commission, Washington, D.C., 20207 or call the toll-free hotline: 1-800-638-2772.

The American Society for Testing and Materials takes no position respecting the validity of any patent right asserted in connection with any item mentioned in this standard. Users of this standard are expressly advised that determination of the validity of any such patent rights, and the risk of infringement of such rights, are entirely their own responsibility.

The standard is subject to revision at any time by the responsible technical committee and must be reviewed every five years and if not revised, either approved or withdrawn. Your comments are invited either for revision of this standard or for additional standards and should be addressed to ASTM Headquarters. Your comments will receive careful consideration at a meeting of the responsible technical committee, which you may attend. If you feel that your comments have not received a fair hearing you should make your views known to the ASTM Committee on Standards, 100 Barr Harbor Drive, West Conshohocken, PA 19428.

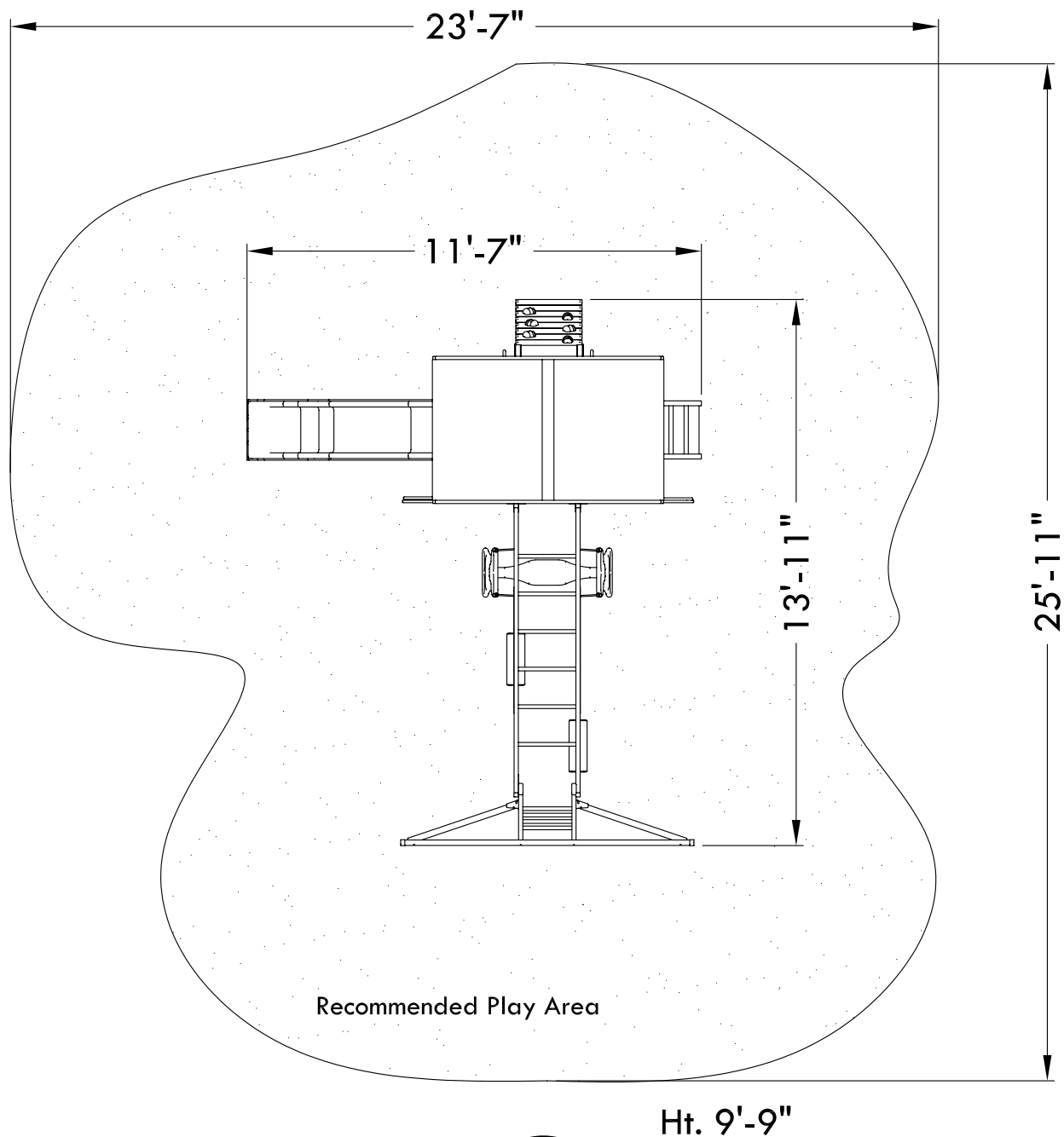
# THE DURANGO

## Assembly Instructions

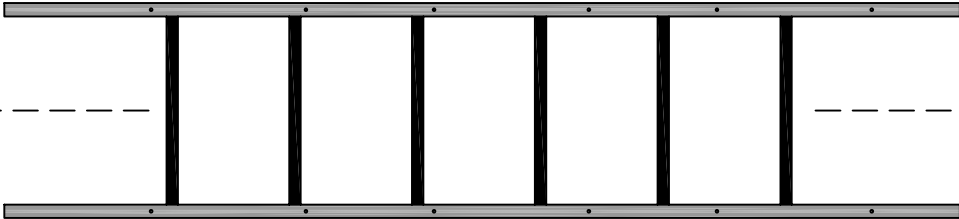
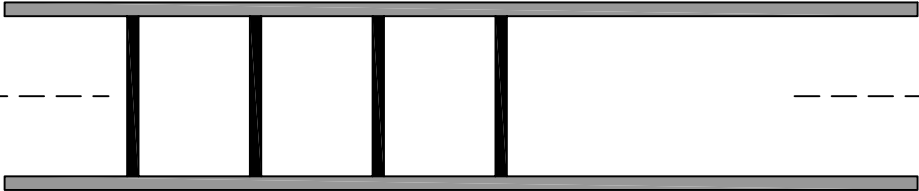


# Basic Setup Dimensions


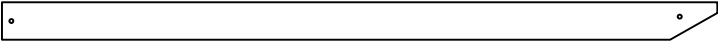
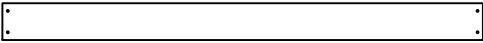
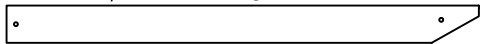

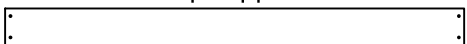
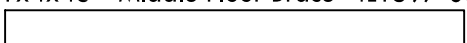
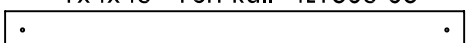
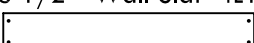
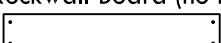
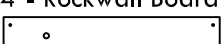
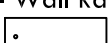
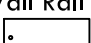
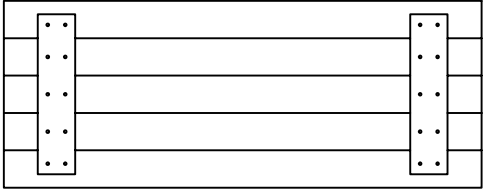
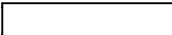
Place the set on level ground, not less than 6ft from any structure or obstruction such as a fence, garage, house, overhanging branches, laundry lines or electrical wires.



# Parts Identification Wood Components

<u>ID LETTER</u>	<u>DESCRIPTION</u>	<u>QUANTITY</u>
	89 1/2"- 6 Rung Monkey Bar Top Ladder (Cranberry) 2A1074-06	
A		1
	85 1/2"- 4 Rung Monkey Bar End Ladder (Cranberry) 2A1042-05	
B		1
C	2x4x89 1/2"- Fort Upright (Cranberry) 4LP1049-06	4
D	2x4x89 1/2"- Monkey Bar Ground Beam (Cranberry) 4LP1048-06	1
E	5/4x4x69"- Tarp Cross Brace 4L1596-06	2
F	5/4x4x50 1/2"- Rockwall Support 4L1610-06	2
G	5/4x4x43"- Floor Joist 4L1602-06	2
H	5/4x4x43"- Monkey Bar Attachment Rail 4L1604-06	1
I	5/4x4x42"- Tarp Upright 4L1609-06	2
J	5/4x4x17 1/2"- Rockwall Cap Board 4L1650-06	1
K	1x6x89"- Fort Ground Beam 4L1608-06	1
L	1x6x43"- Fort Rail/Sandbox Board 4L1501-05	4
M	1x6x43"- Fort Rail/Sandbox Board 4L1600-06	3

# Parts Identification Wood Components

<u>ID LETTER</u>	<u>DESCRIPTION</u>	<u>QUANTITY</u>
N	1x6x40 1/2"- End Floor Board 4L1601-06 	2
O	1x4x67"- Monkey Bar Angle Brace 4L1584-06 	2
P	1x4x45"- Tarp End Cap 4L1495-05 	2
Q	1x4x44 1/4"- Fort Angle Brace 4L1607-05 	2
R	1x4x43"- Fort Rail 4L1502-05 	2
S	1x4x43"- Tarp Support 4L1442-05 	1
T	1x4x43"- Middle Floor Brace 4L1597-06 	1
U	1x4x43"- Fort Rail 4L1603-06 	1
V	1x4x23 1/2"- Wall Slat 4L1686-06 	11
W	1x4x20 1/4"- Rockwall Board (no rock) 4L1496-05 	2
X	1x4x20 1/4"- Rockwall Board 4L1394-05 	6
Y	1x4x9 1/2"- Wall Rail 4L1633-06 	2
Z	1x4x8"- Wall Rail 4L1625-06 	4
AA	44 3/4"- Floor Panel Assembly 2A1050-06 	2
AB	2x4x16"- Ladder Rung 4L504 	4

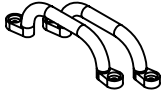
# Parts Identification

## Accessories

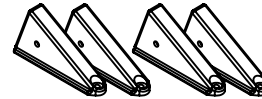
1 - 8' Green Wave Slide - 6P084



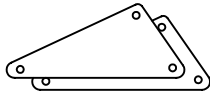
2 - Yellow Hand Grips (pair) - 6P002



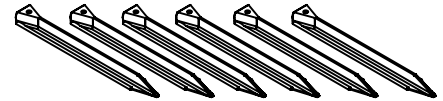
4 - Angle Brace Bracket - 6P073



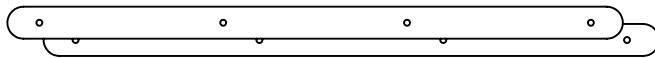
2 - Fort/Monkey Bar Plate - 6M030



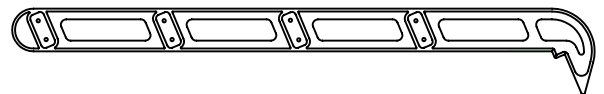
6 - Green Plastic Stakes - 6P085



2 - Green Monkey Bar Strip - 6M031



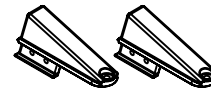
2 - 4' Ladder Rail - 6P074



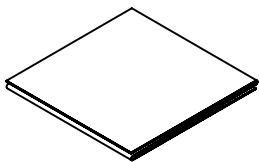
10 - Green L-Bracket - 6M021



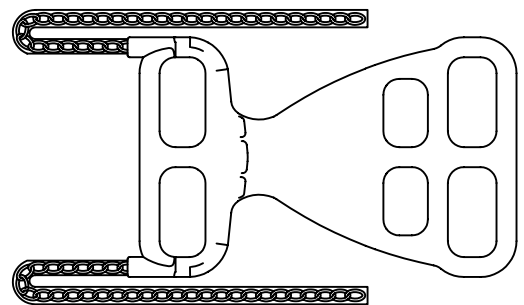
2 - Rockwall Bracket - 6P079



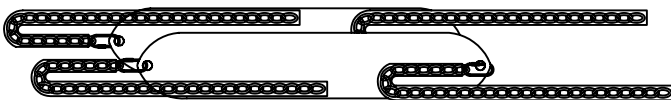
1 - Green Roof Tarp - 6F012



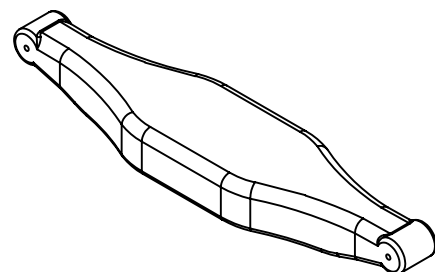
2 - Glider Arms w/chain - 2A1085-06



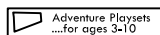
2 - Yellow Swing Seats w/chain - 2A1086-06



1 - Glider Seat - 6P083

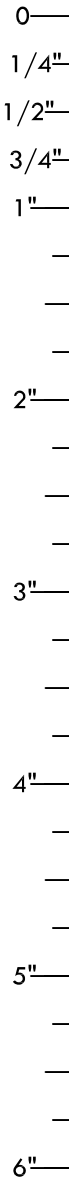
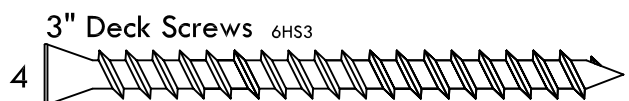
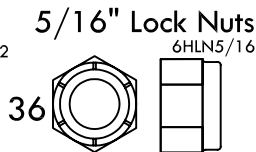
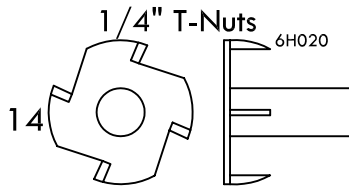
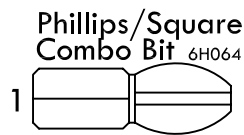
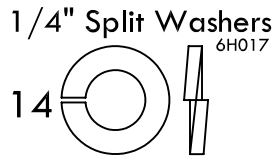
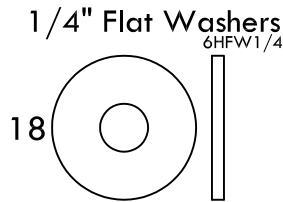
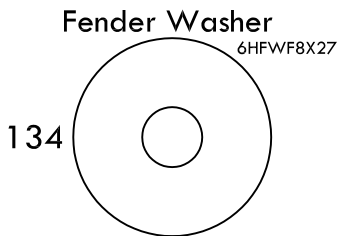
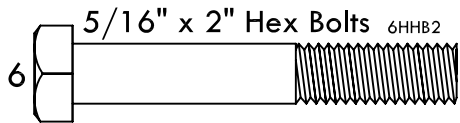
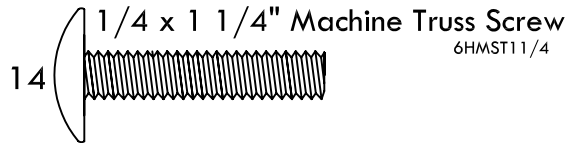
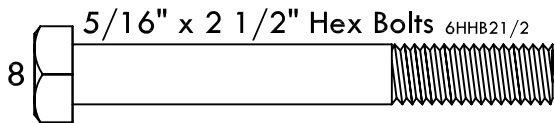
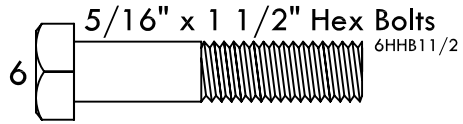
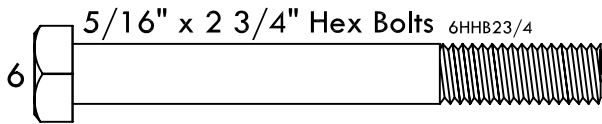
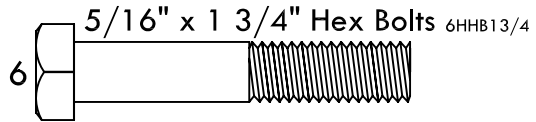
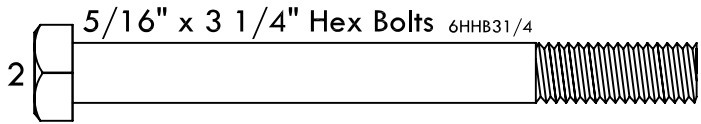
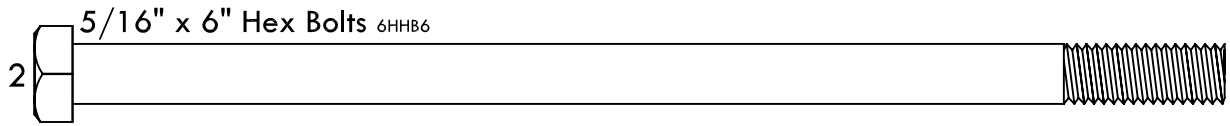


1 - Adventure Playsets Identification Sticker  
6BLAB22



# Hardware Identification

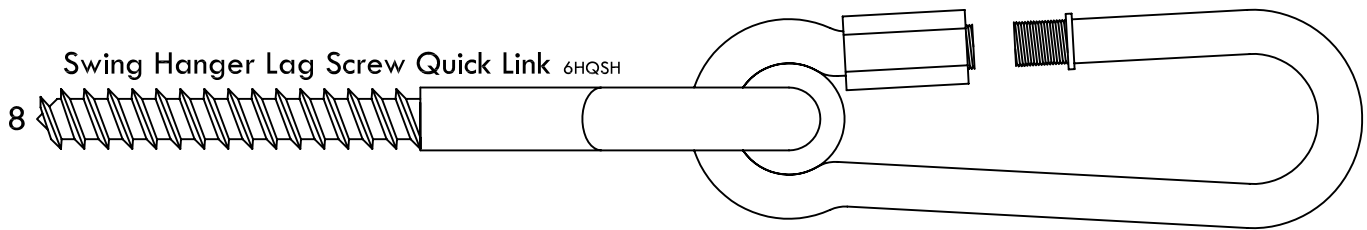
## Fort Hardware Bag - 3H1105-06





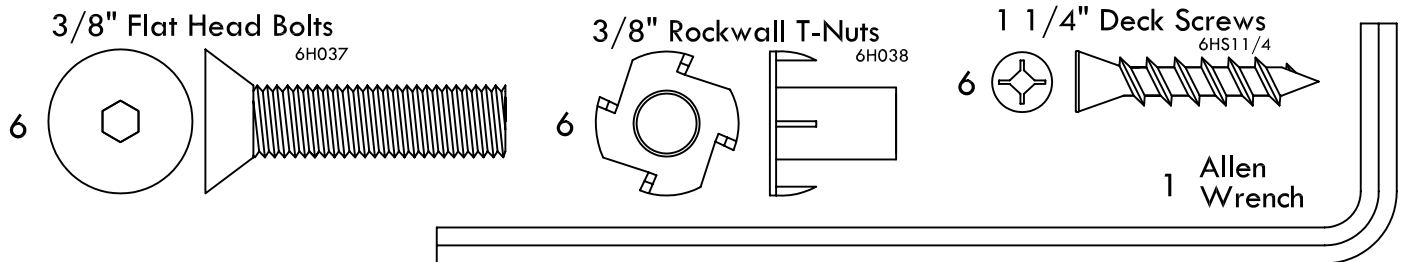
# Hardware Identification

## Fort Hardware Bag - 3H1105-06 cont.



## Rock Hardware Bag - 6P054

6 Rockwall Rocks (Not Shown)

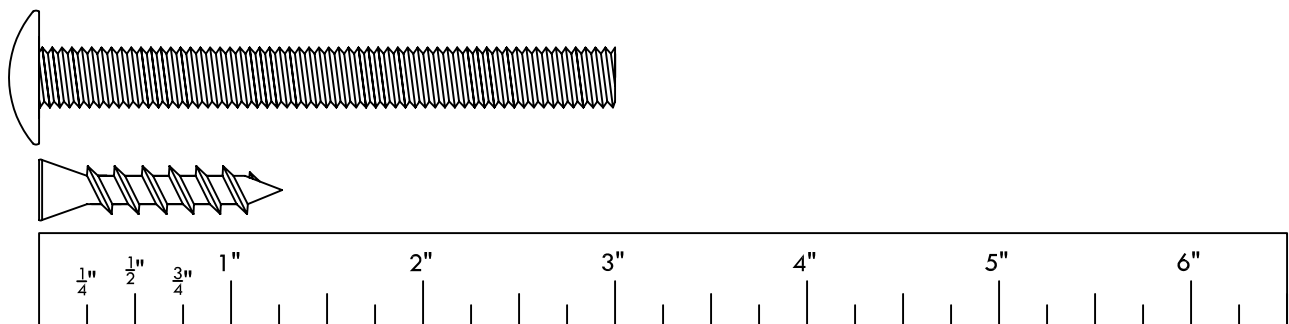


## Measuring hardware

It is very important that you get the right hardware in the correct place when assembling the unit. You can use the ruler below to measure your hardware or you can compare the hardware to the hardware identification page.

### NOTES:

- 1) Do not include bolt head when measuring length of bolt.
- 2) Include full length of deck screw when measuring.



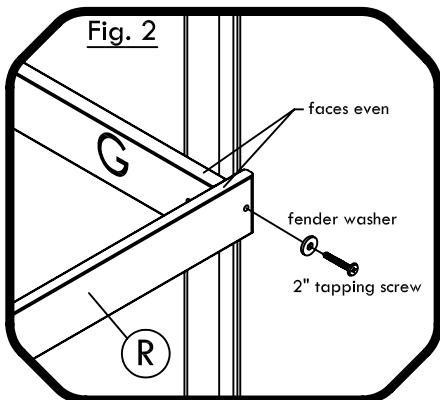
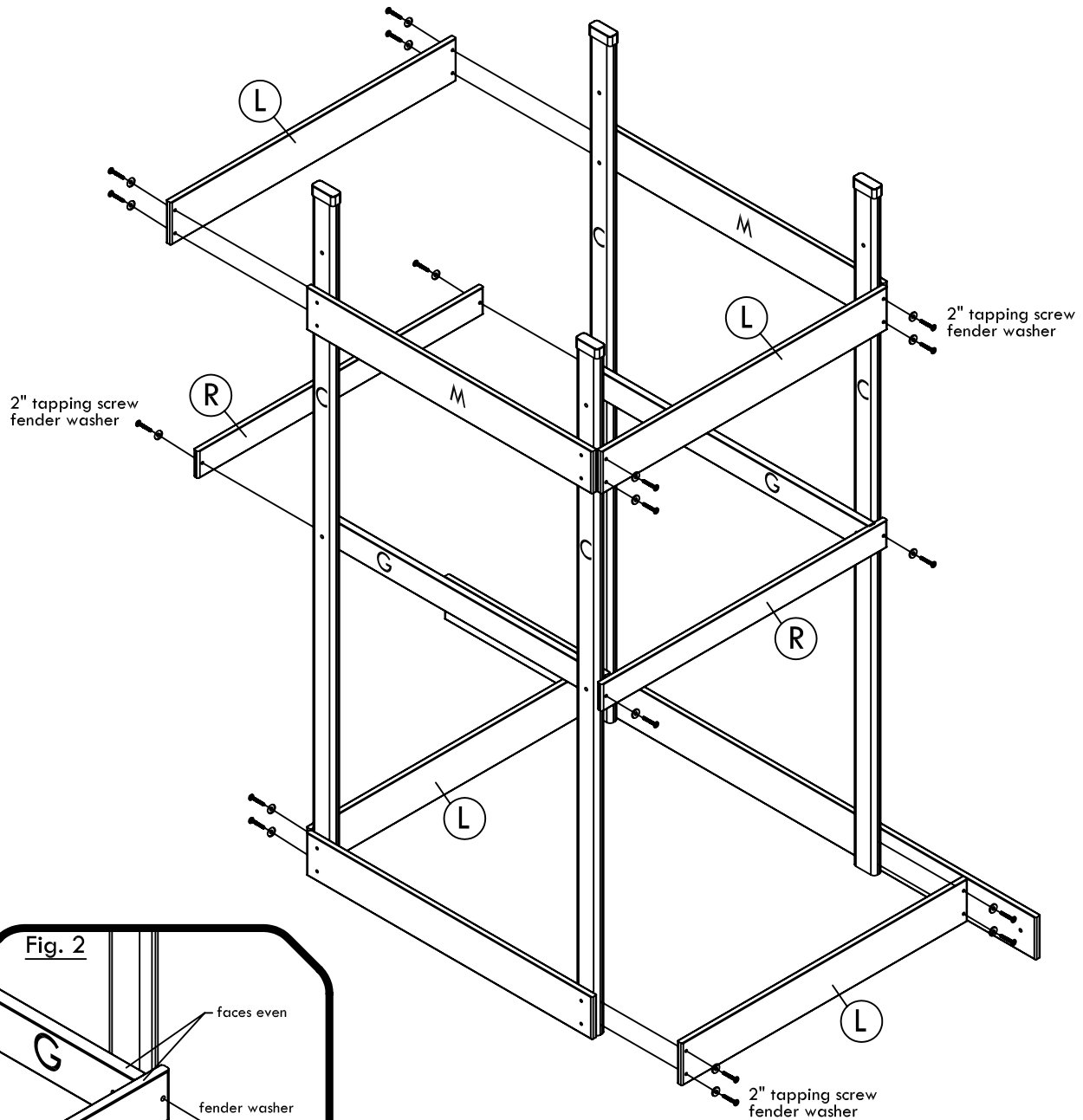


# Phase 2 Frame Assembly

## Items Used in this Phase

- (4) Fort Rails 'L'
- (2) Fort Rails 'R'

- Step 1: Attach Fort Rails 'R' to sides of Uprights 'C', even with previously placed Floor Joists 'G', with 2" tapping screws & fender washers as shown. (see Fig. 2)
- Step 2: Make sure fort frame is level and square and attach (2) Fort Rails 'L' to the bottom of fort with (4) 2" tapping screws & fender washers each as shown.
- Step 3: With the frame square and level, attach (2) Fort Rails 'L' to the top of the fort, even with previously placed Rails 'M', with (4) 2" tapping screws & fender washers as shown.



# Phase 3 Floor Attachment

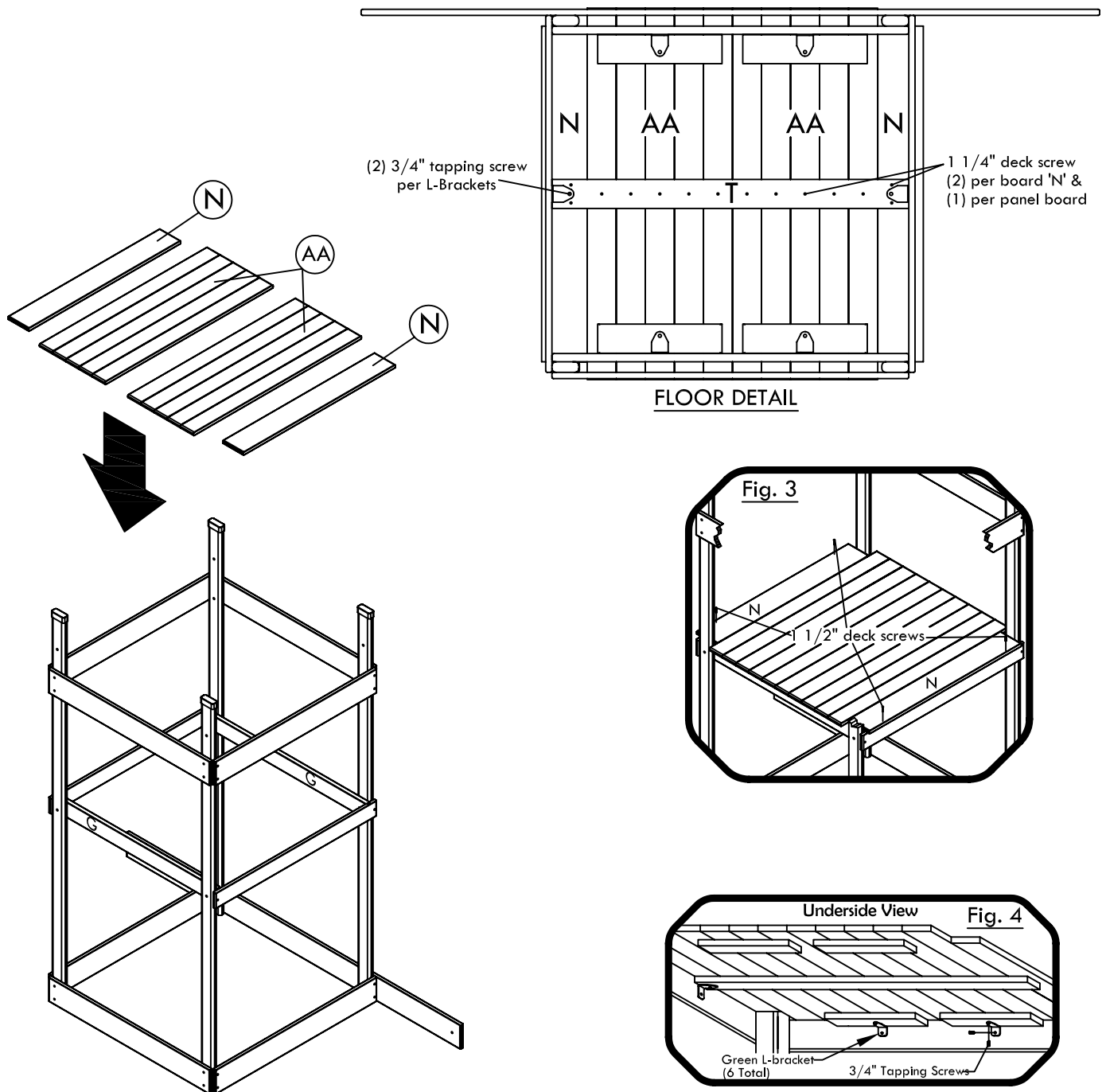
## Items Used in this Phase

- (2) End Floor boards 'N'
- (1) Middle Floor Brace 'T'
- (2) Floor Panel Assemblies 'AA'
- (6) Green L-Brackets

**Step 1:** Place Floor Boards and Panels on fort where shown. Center floor on unit and attach end floor boards with (2) 1 1/2" deck screws on top as shown. (see Fig. 3)

**Step 2:** From underneath the floor, secure panels to Floor Joists 'G' with L-brackets and 3/4" tapping screws as shown. Use (2) L-brackets per panel.

**Step 3:** Attach Middle Floor Brace 'T' to the bottom of the floor, centered on floor, with 1 1/4" deck screws & L-brackets with 3/4" tapping screws as indicated. (see Floor Detail and Fig. 4)



# Phase 4 Fort Rail Attachment

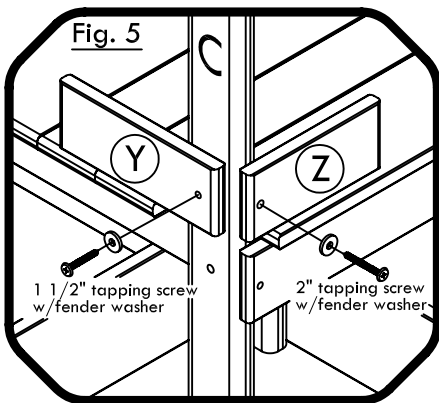
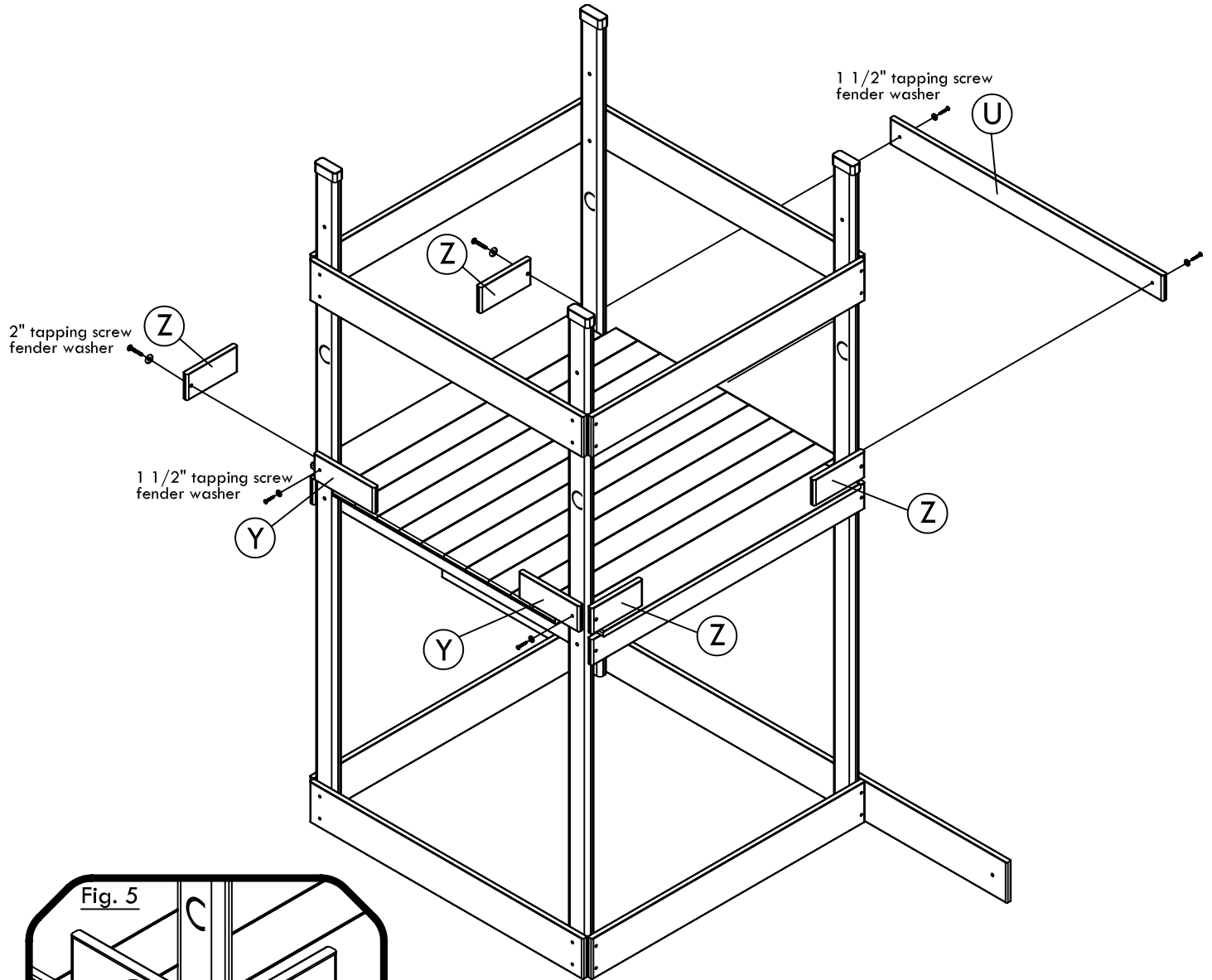
## Items Used in this Phase

- (1) Fort Rail 'U'
- (2) Wall Rail 'Y'
- (4) Wall Rail 'Z'

**Step 1:** Attach (1) Fort Rail 'U' to Uprights 'C', on back of unit and on top of the floor, with (2) 1 1/2" tapping screws and fender washers as shown.

**Step 2:** Attach (1) Wall Rail 'Z' to the side of each upright, on top of the floor, with (1) 2" tapping screw & fender washer each. (see Fig. 5)

**Step 3:** Attach Wall Rails 'Y' to the uprights, on the front of the unit and on top of the floor, with (1) 1 1/2" tapping screw and fender washer each as shown in Fig. 5.



**Note:** If your screws in this phase hit each other, it may be hard to attach. This can be solved by angling the screw a slight bit, to avoid hitting the other screw

# Phase 5 Deck Ladder Assembly

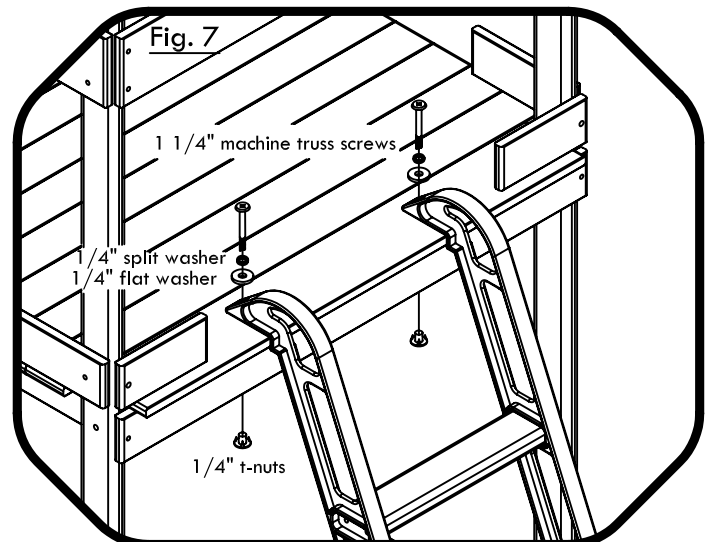
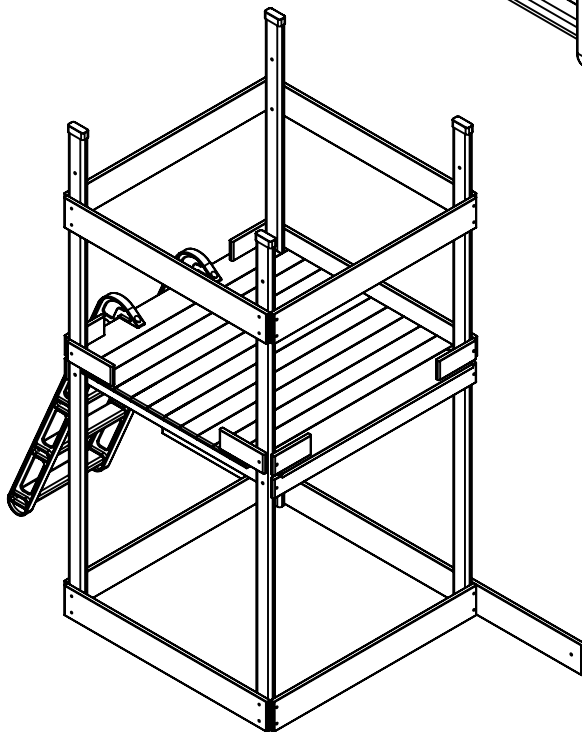
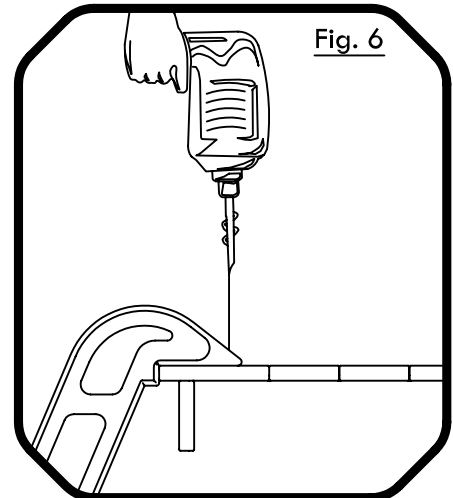
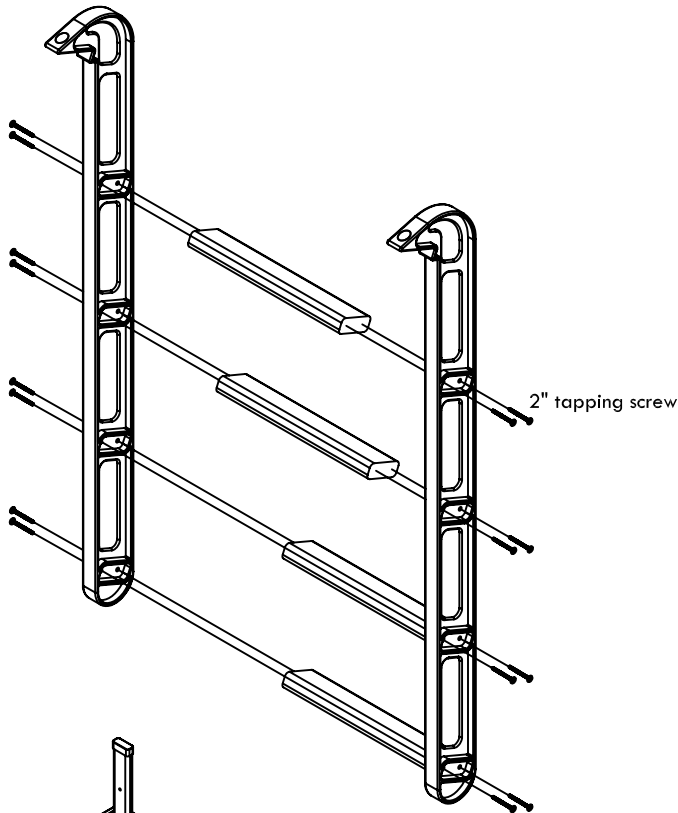
## Items Used in this Phase

- (2) 4' Ladder Rails
- (4) Ladder Rungs 'AB'

**Step 1:** Attach (1) Ladder Rail to each side of each Ladder Rung 'AB' with 2" tapping screws (no washers)

**Step 2:** Place Deck Ladder Assembly onto fort, centered in opening shown, and by using a drill with a 5/16" bit and using the holes in the Ladder Rails as a guide, drill attachment holes through the fort floor. (see Fig. 6)

**Step 3:** Attach Deck Ladder to fort by placing a 1/4" t-nut into drilled hole, from underneath fort, and attaching with 1 1/4" machine truss screws, 1/4" split washers and 1/4" flat washers. (see Fig. 7)

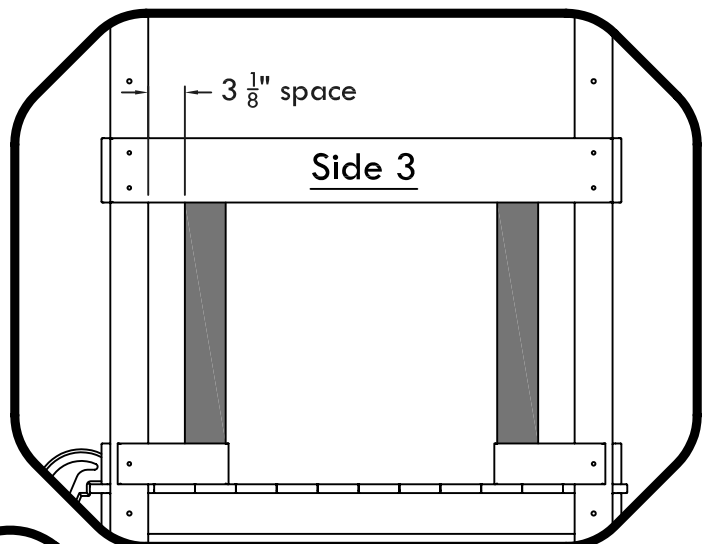
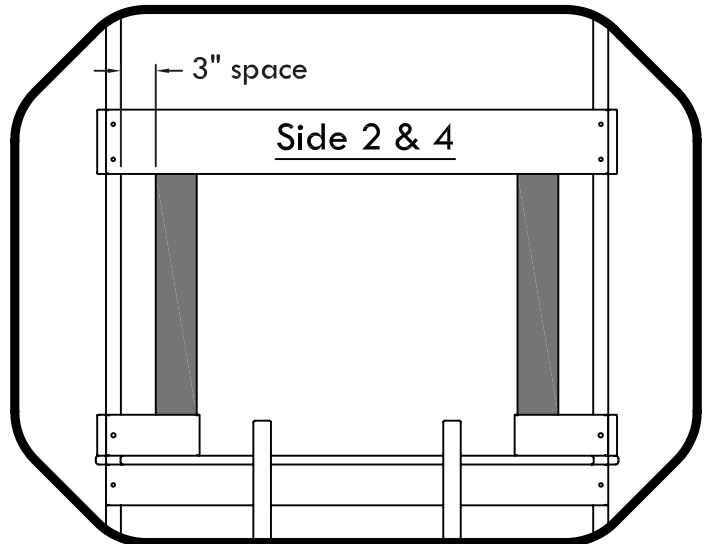
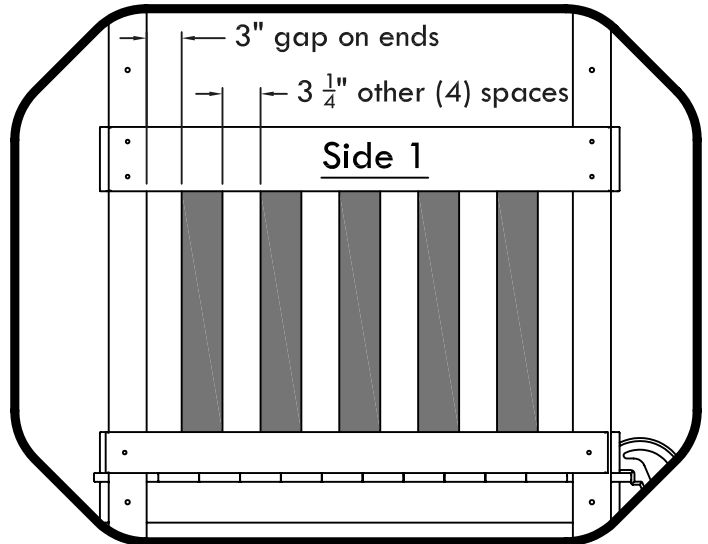
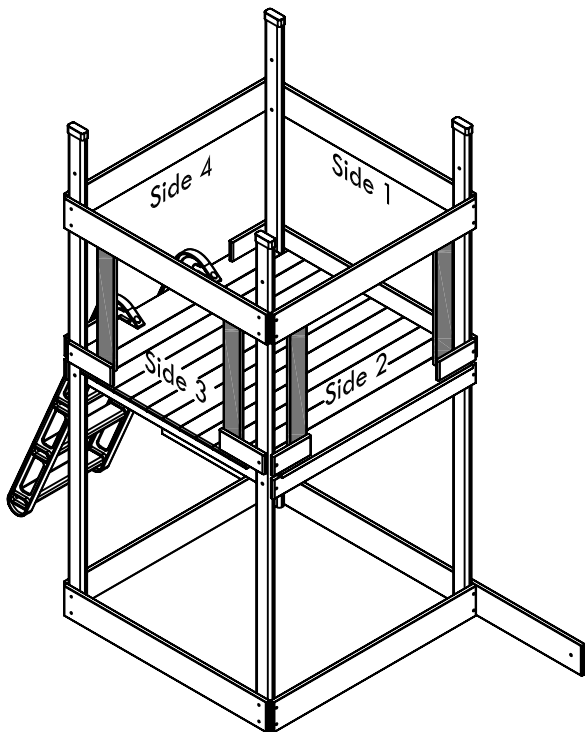
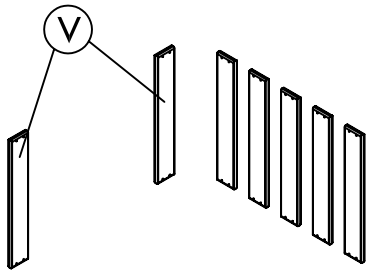


# Phase 6 Wall Assembly

Items Used in this Phase

(11) Wall Slats 'V'

Step 1: Attach Wall Slats 'V' to each side of fort with (4) 1 1/4" deck screws per slat. Attach approx. 2" above floor and spaced as shown in diagrams below.



# Phase 7 Rockwall Assembly

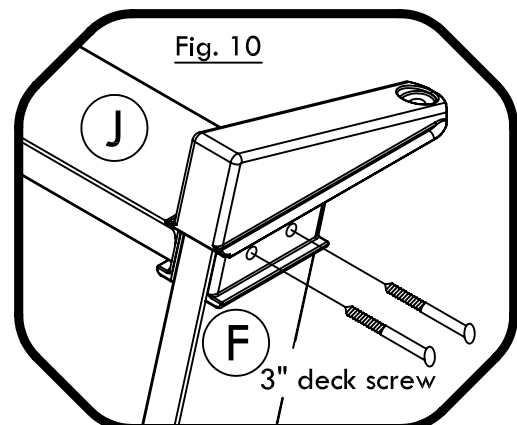
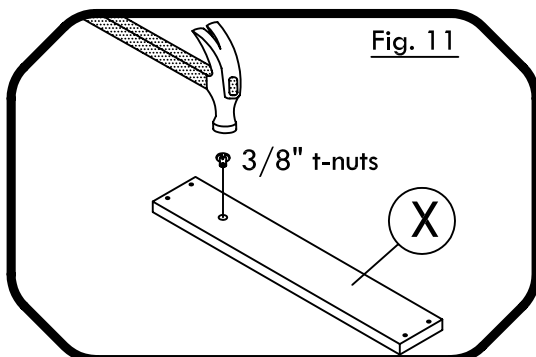
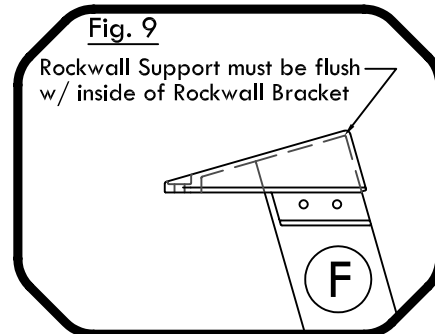
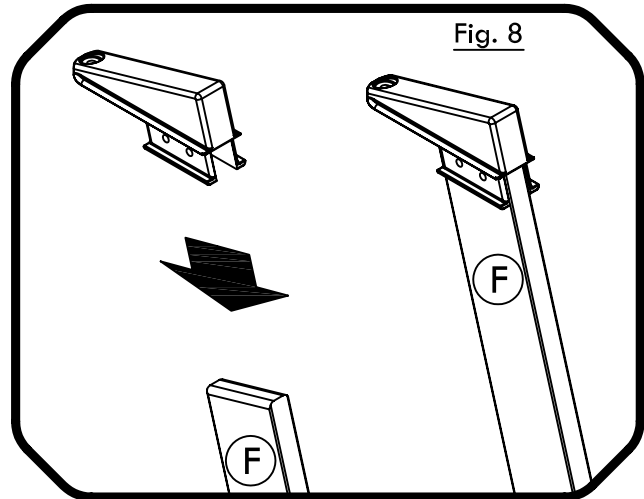
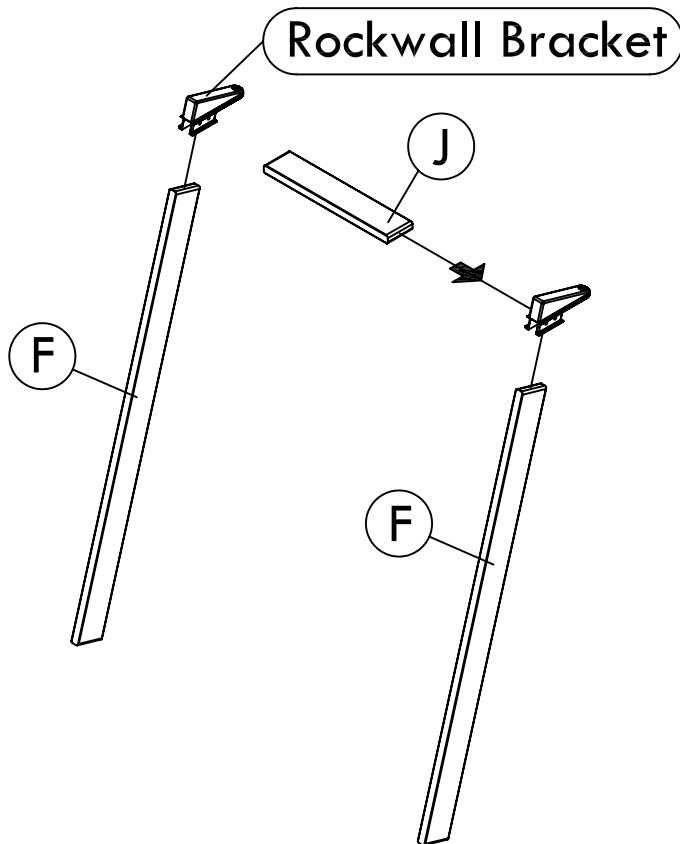
## Items Used in this Phase

- (2) Rockwall Supports 'F'
- (1) Rockwall Cap Board 'J'
- (6) Rockwall Boards 'X'
- (2) Rockwall Brackets
- 3/8" Rockwall T-nuts

Step 1: Place (1) Rockwall Bracket on the end of each Rockwall support 'F'. The End of the board 'F' must be flush with the inside of the Rockwall Bracket. (see Fig 8 & 9)

Step 2: Attach Rockwall Brackets to Rockwall Supports 'F' and Rockwall Cap Board 'J' by placing 3" deck screws through brackets and Supports 'F' and into Cap Board 'J'. (see Fig. 10) Keep Bracket flush with end of board while attaching. (see Fig. 8 & 9)

Step 3: Hammer rockwall t-nuts into the back of each Rockwall Board 'X' as shown in Fig. 11.





# Phase 8 Rockwall Assembly

## Items Used in this Phase

- Phase 7 Rockwall Assembly
- (2) No Rock Rockwall Board 'W'
- (6) Rockwall Boards 'X'
- (2) Rockwall Brackets
- Rockwall Climbing Rocks

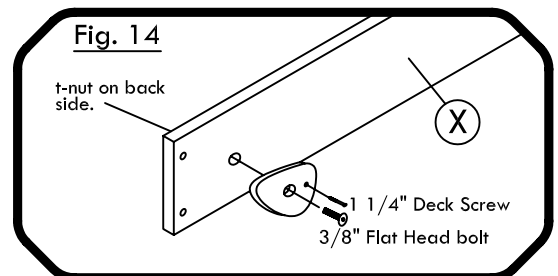
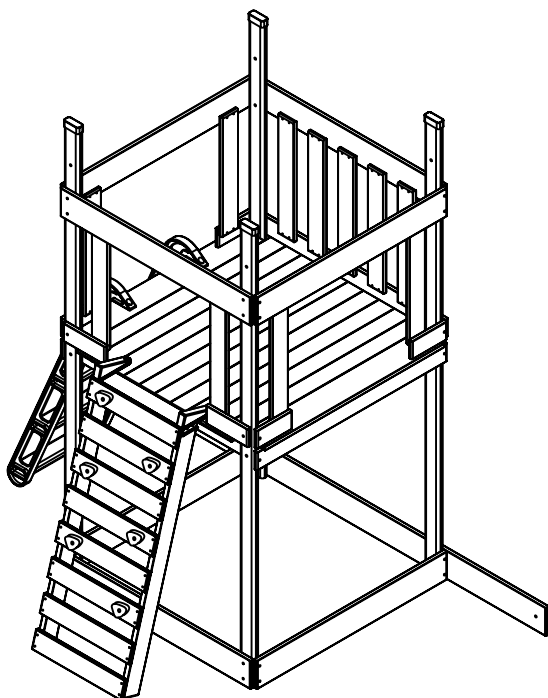
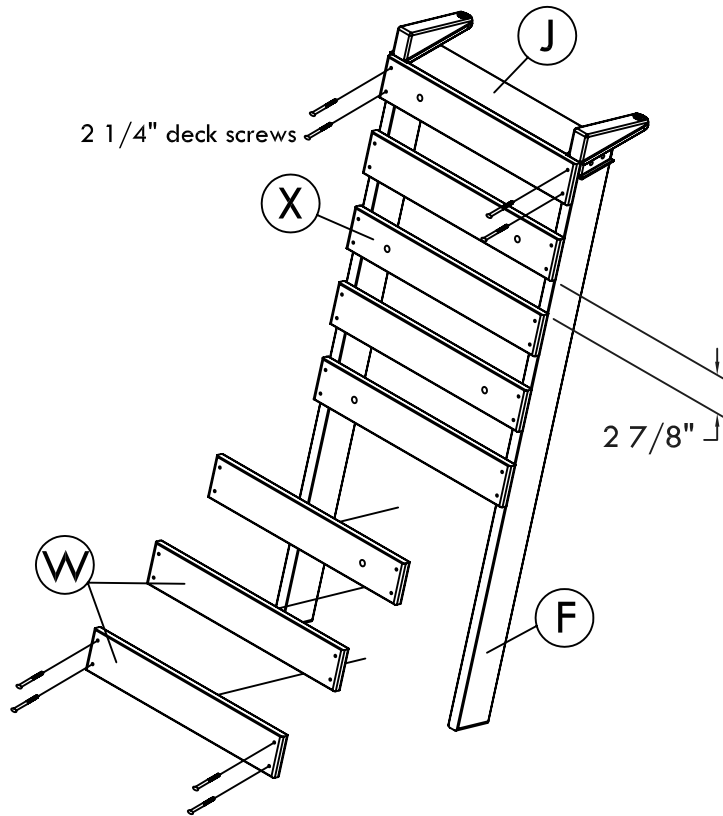
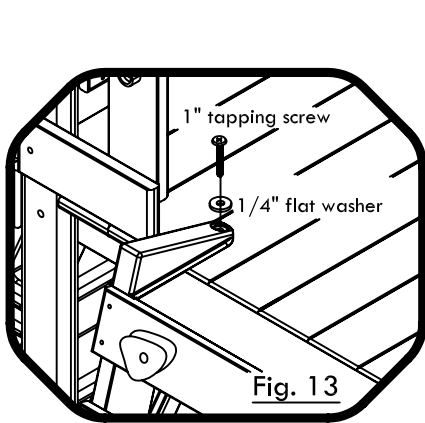
**Step 1:** Attach (1) Rockwall Board 'X' to Supports 'F', flush with the top of Cap Board 'J' and 'Lip' on bracket, with 2 1/4" deck screws through pre-drilled holes. (t-nut from phase 7 will be on backside)

**Step 2:** Attach remaining Rockwall Boards 'X' & 'W' to Rockwall Supports 'F', spaced equally 2 7/8" apart and placed so that the Rock holes alternate and DO NOT form a straight line, with 2 1/4" deck screws. Boards 'W' will be the bottom 2 boards on the Rockwall Assembly.

**Step 3:** Using the 3/8" flathead bolts and 1 1/4" deck screws, attach Climbing Rocks to Rockwall Boards as shown (see Fig.14)

**Step 4:** Center Rockwall Assembly in opening shown. Make sure bottom of Rockwall Bracket is flush with top of floor and edge of Rockwall Cap Board is up against edge of floor.

**Step 5:** Attach Rockwall Assembly to Fort with (2) 1" tapping screws and 1/4" flat washers as shown.



# Phase 9 Roof Assembly

## Items Used in this Phase

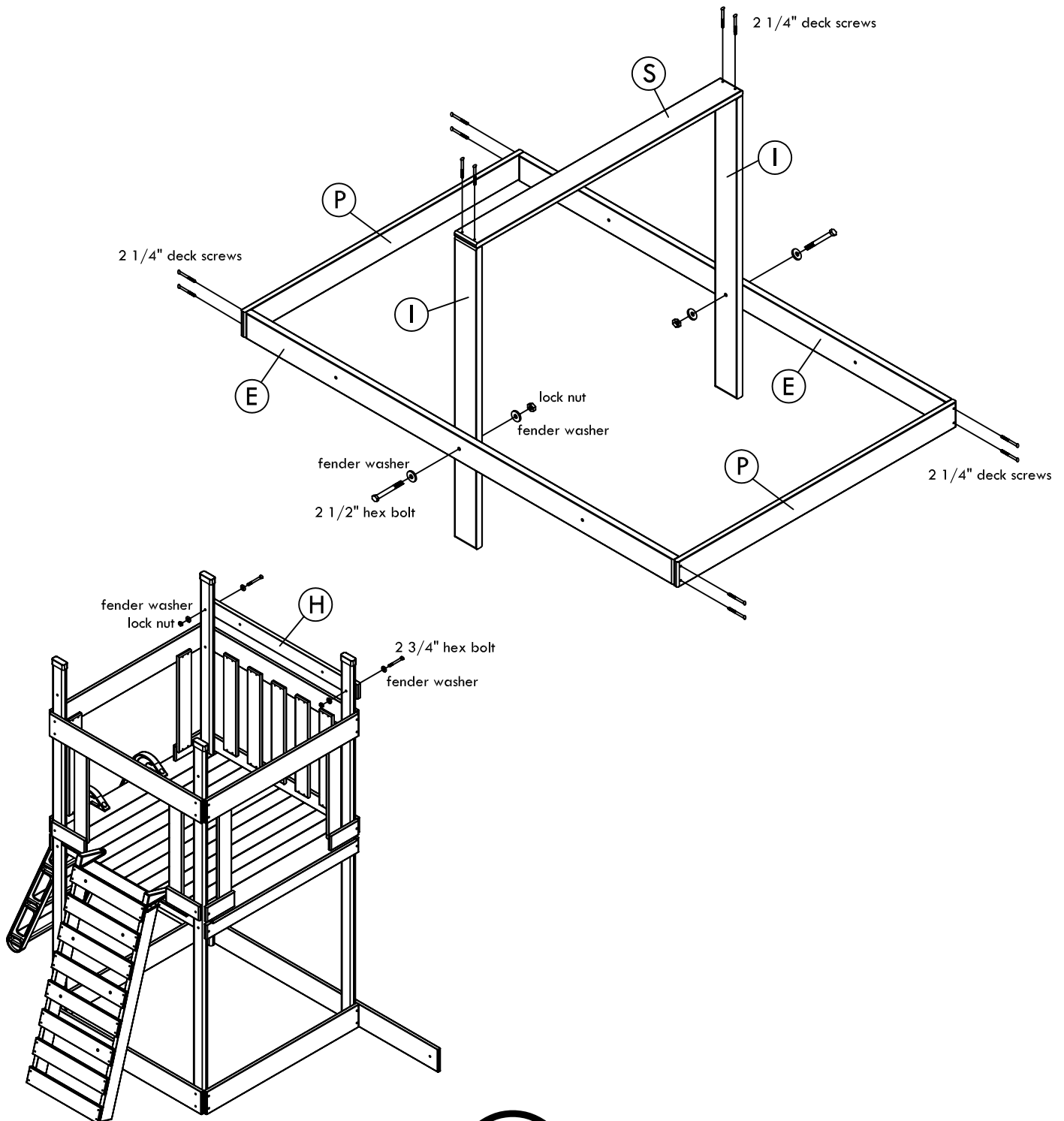
- (2) Tarp Cross Braces 'E'
- (1) Monkey Bar Attachment Rail 'H'
- (2) Tarp Uprights 'I'
- (2) Tarp End Caps 'P'
- (1) Tarp Support 'S'

**Step 1:** Attach Monkey Bar Attachment Rail to the back of fort with 2 3/4" hex bolts, fender washers and lock nuts.

**Step 2:** Attach Tarp End Caps 'P' to ends of Tarp Cross Braces 'E' with 2 1/4" deck screws as shown.

**Step 3:** Attach Tarp Support 'S' to the ends of Tarp Uprights 'I' with 2 1/4" deck screws as shown.

**Step 4:** Connect assembly from Step 2 to assembly from Step 3 with 2 1/2" hex bolts, fender washers and lock nuts as shown.



# Phase 10

## Tarp/Hand Grip Attachment

### Items Used in this Phase

- (4) Hand Grips
- (1) Roof Tarp
- Phase 9 Roof Assembly

- Step 1:** Attach Tarp Assembly to the top of Fort, even with the top of Uprights 'C', with 2" tapping screws & fender washers. (see Fig. 19)
- Step 2:** Attach Tarp Uprights 'I' to Fort Rails 'M' with (2) 1 1/2" deck screws each as shown. (see Fig. 19)
- Step 3:** Drape Tarp over Tarp Support 'S' and Tarp End Caps 'P'. Attach one side of tarp to inside of one Tarp End Cap 'P' with (4) 3/4" tapping screws. Pull other side of Tarp tight and attach to other Tarp End Cap 'P' with 3/4" tapping screws. (see Fig 17 & 18)
- Step 4:** The two Wall Slats 'V' over the Deck Ladder and Rockwall will take Hand Grips. Center (1) Hand Grip on each wall slat, and using the holes in the Grips as a guide, drill 5/16" holes through the Wall Slats. (see Fig. 15)
- Step 5:** Attach the Hand Grips to the drilled Wall Slats with 1 1/4" machine truss screw with 1/4" split washer and 1/4" flat washer through the grip and slat and into a 1/4" t-nut on the back. You must hammer the t-nuts into the drilled holes before inserting the machine truss screw. (see Fig. 16)

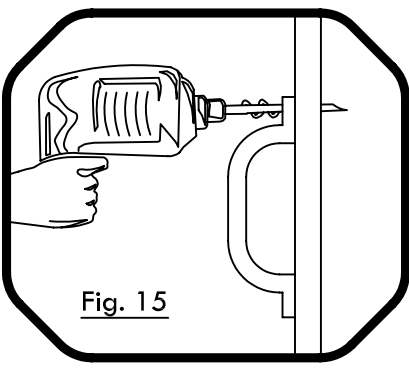


Fig. 15

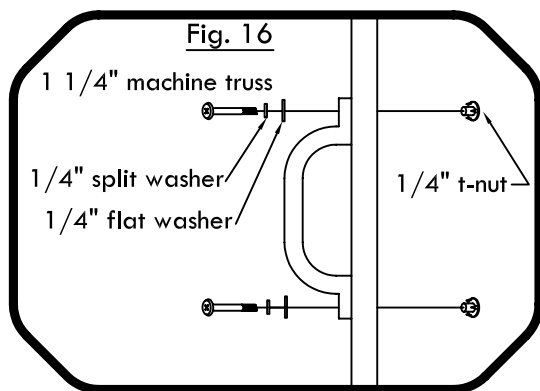


Fig. 16

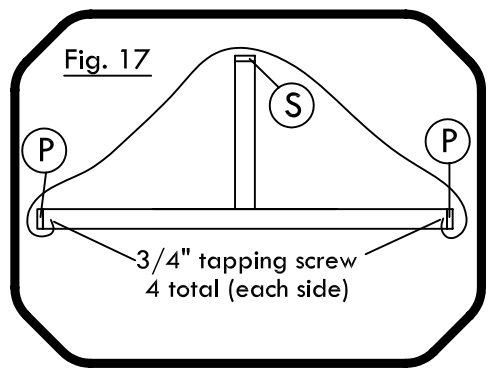
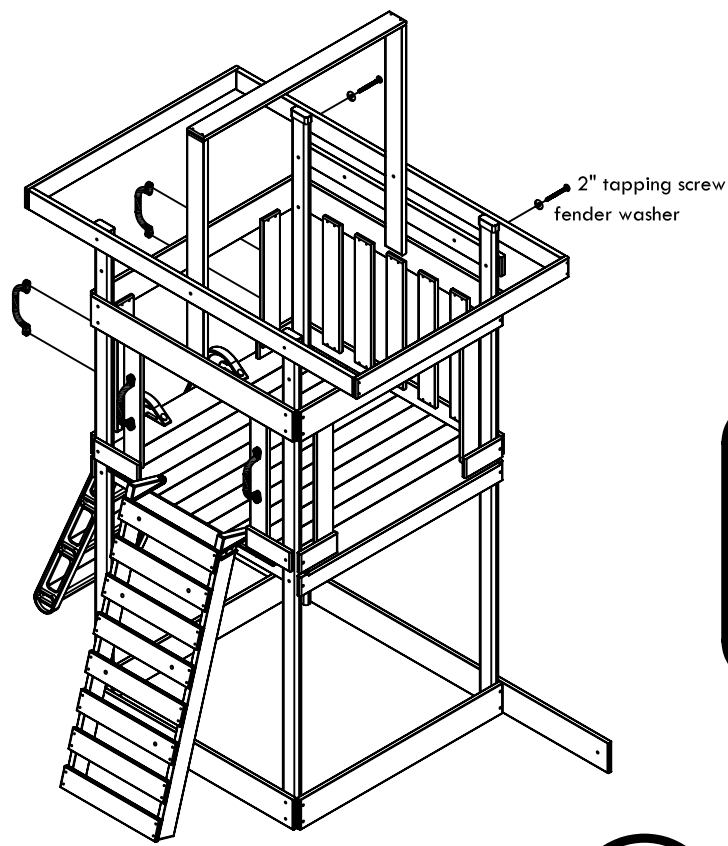


Fig. 17



2" tapping screw  
fender washer

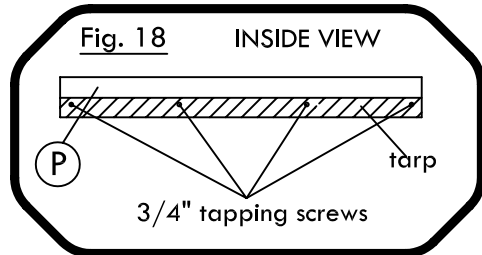


Fig. 18 INSIDE VIEW

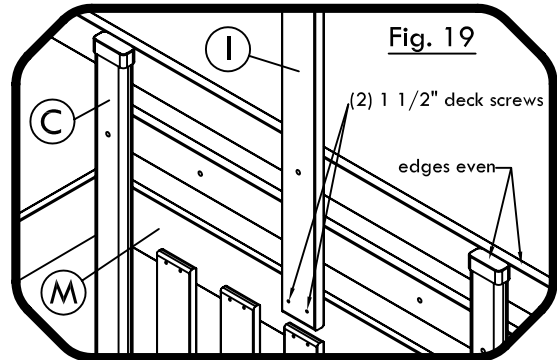


Fig. 19

(2) 1 1/2" deck screws

edges even

# Phase 11

## Fort Brace Attachment

### Items Used in this Phase

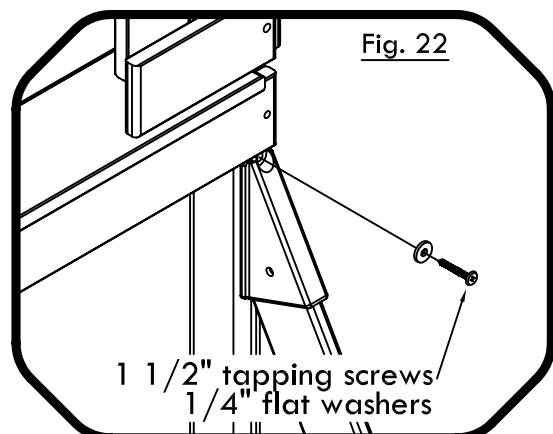
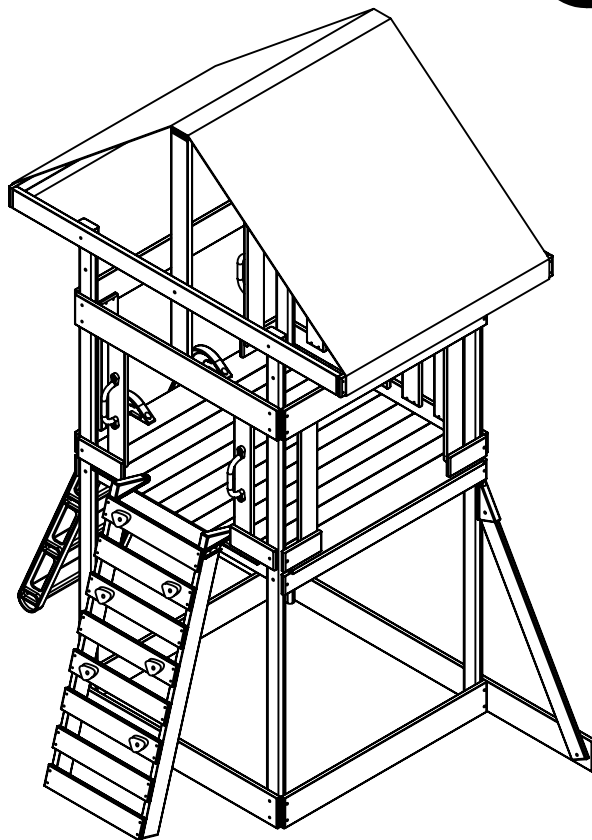
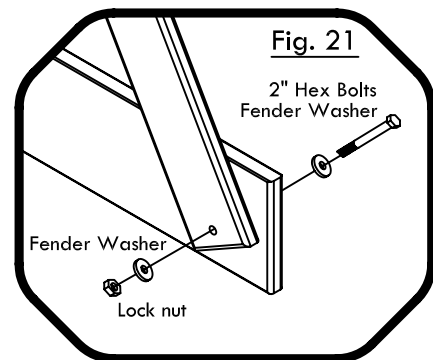
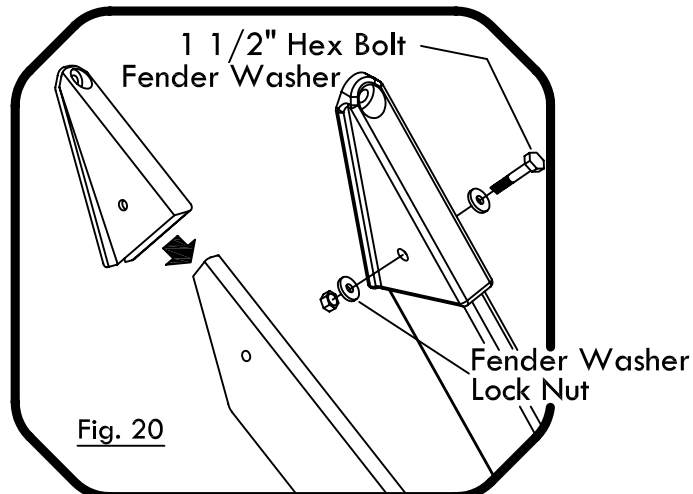
- (2) Fort Angle Braces 'Q'
- (2) Angle Brace Brackets

Step 1: Place Angle Brace Brackets over angled cut end of Angle Brace 'Q' and line up the holes.

Step 2: Attach Brackets to Braces with 1 1/2" hex bolts, fender washers and lock nut as shown in Fig. 20.

Step 3: Attach square end of Angle Braces 'Q' to Fort Ground Beam 'K' with 2" hex bolts, fender washers and lock nuts as shown in Fig. 21.

Step 4: Make sure the Fort is square and level and Attach Angle Brackets to Fort Uprights 'C' with 1 1/2" tapping screws and 1/4" flat washers. (see Fig. 22)



# Phase 12 Monkey Bar Setup

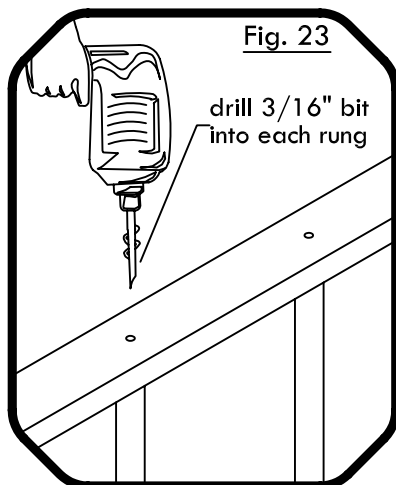
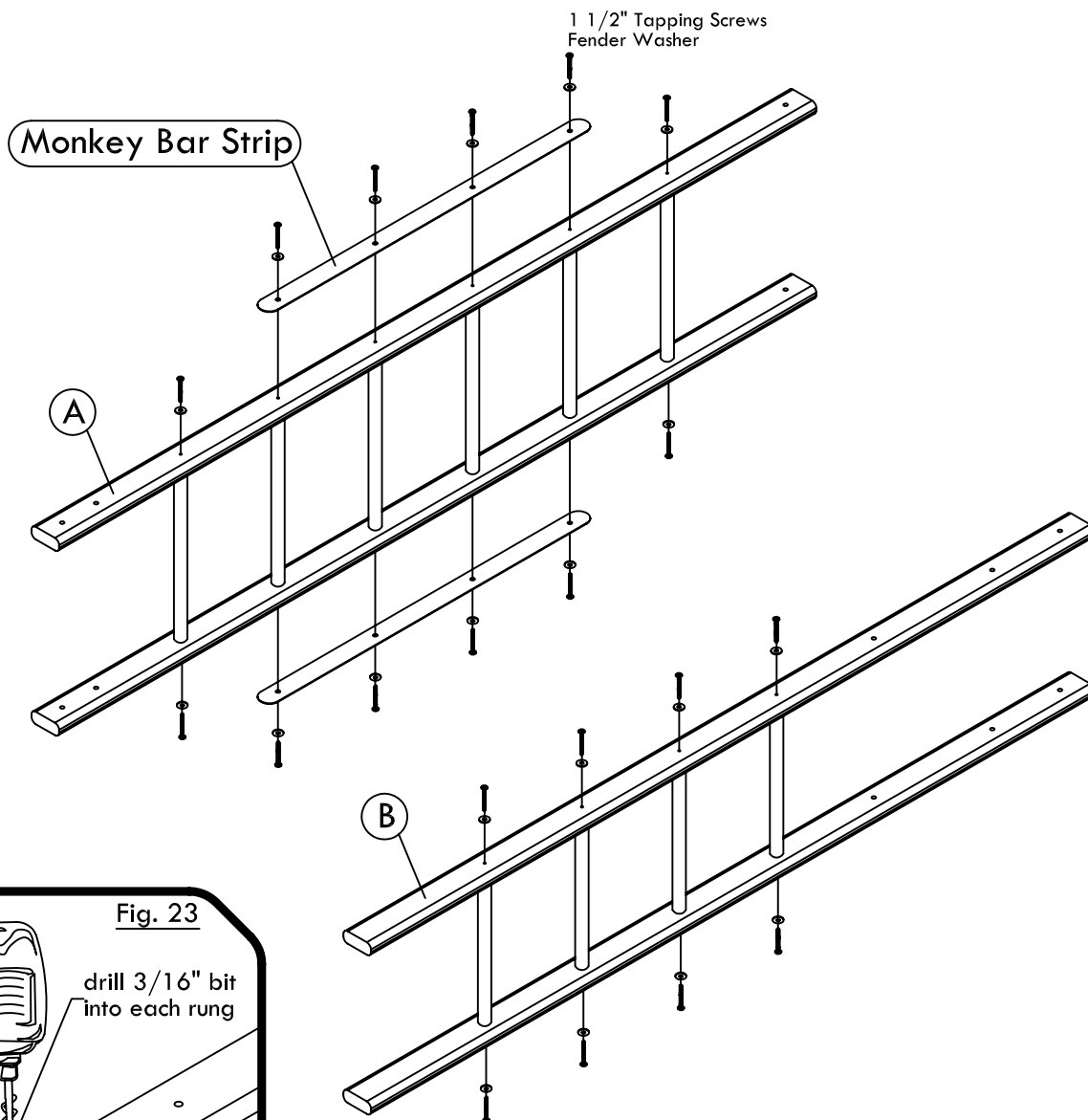
## Items Used in this Phase

- (1) Monkey Bar Top Ladder 'A'
- (1) Monkey Bar End Ladder 'B'
- (2) Green Monkey Bar Strips

**Step 1:** Using a drill with a 3/16" bit, pre-drill a hole approximately 1 1/2" deep into each wooden rung on each Ladder Assembly. This will aid Step 2 & 3. (see Fig 23)

**Step 2:** Secure Metal Strip to each side of the Monkey Bar Top Ladder 'A' WHERE SHOWN with 1 1/2" tapping screws & fender washers through pre-drilled holes and into each ladder rung.

**Step 3:** On both Ladders, secure ladder rails to rungs by using a 1 1/2" tapping screw & fender washer through pre-drilled holes as shown. (secure both sides with tapping screws)



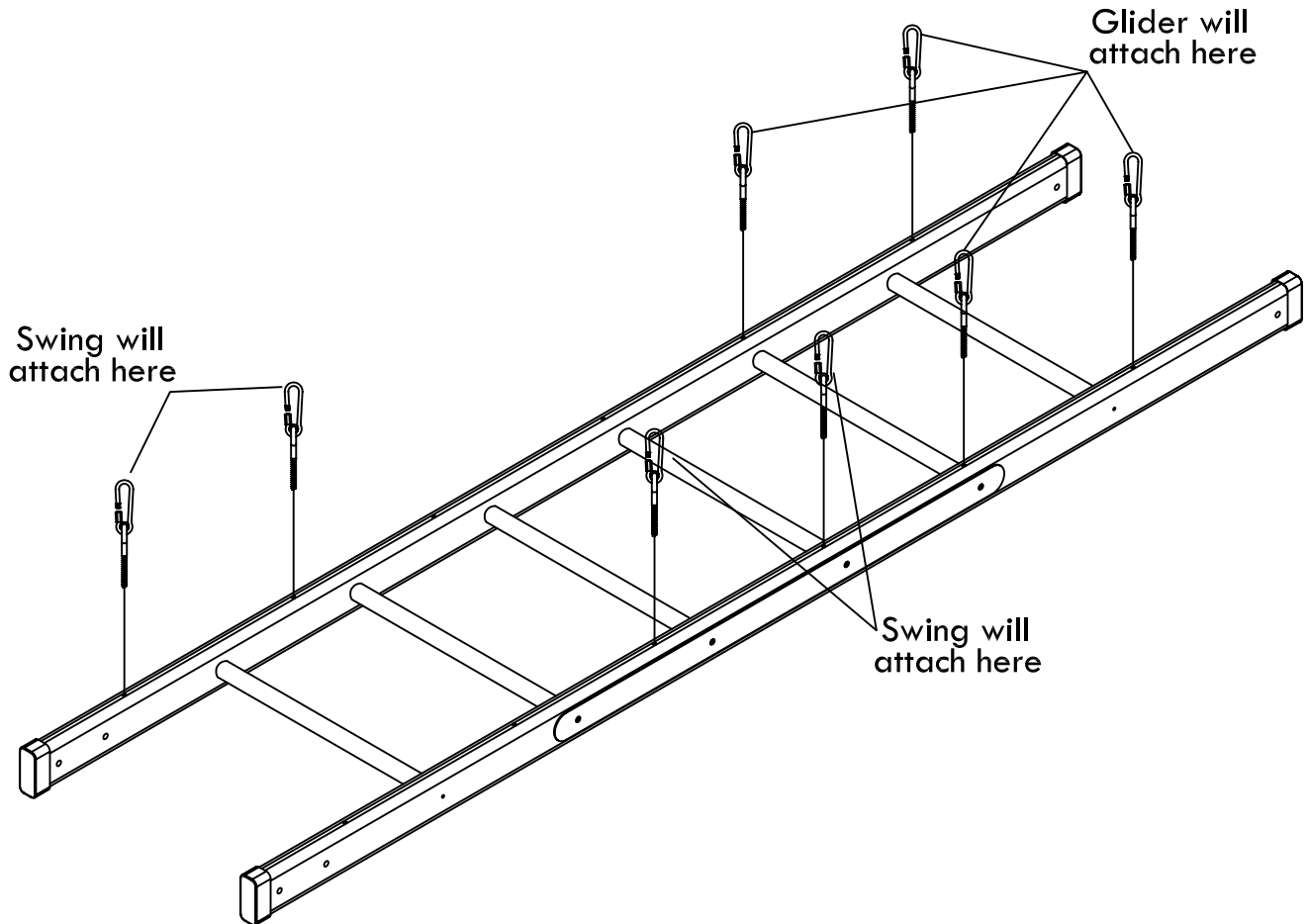
**Note:** Metal Strip must be installed where shown. (centered on rail)

# Phase 13 Swing Hanger Attachment

## Items Used in this Phase

- (1) Monkey Bar Top Ladder 'A'
- (8) Swing Hanger Lag Screws

Step 1: Screw lag screw swing hangers into pilot holes on Monkey Bar Top Ladder in pattern shown below. (Note, for future reference, where each swing activity will attach)



### HARDWARE ILLUSTRATION: SWING HANGER

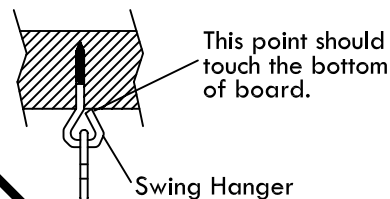


Fig. 24

The Lag Screw Swing Hanger must be screwed in so that the tip of the swing hanger is touching the receiving board.

NOTE: Triangular bend on swing hanger must run parallel with board.



Note: Swing hangers must be installed according to hardware illustration above!

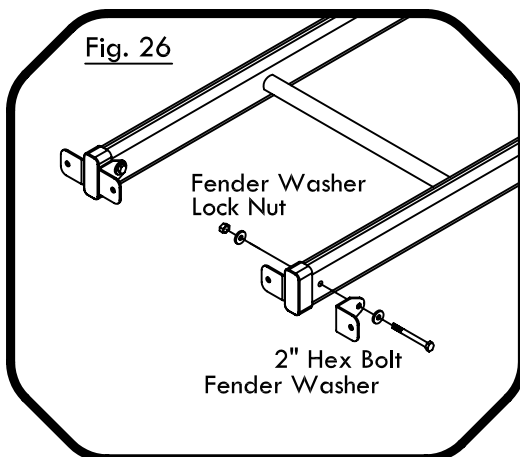
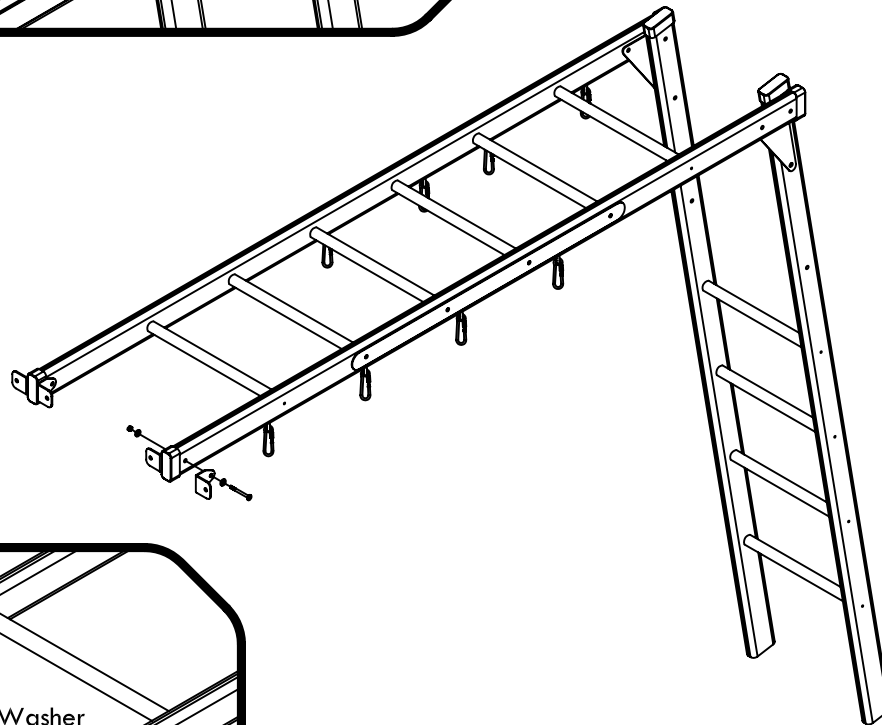
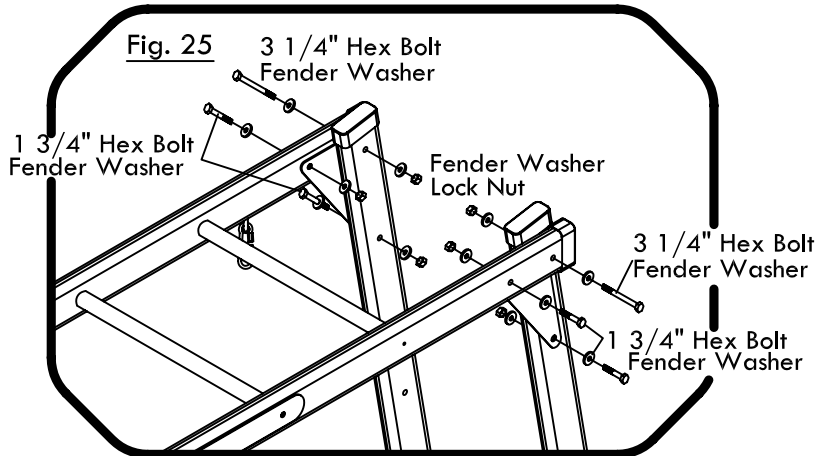
# Phase 14 Monkey Bar Assembly

## Items Used in this Phase

- (1) Monkey Bar Top Ladder 'A'
- (1) Monkey Bar End Ladder 'B'
- (2) Monkey Bar Plates
- (4) L-Brackets

Step 1: Attach Monkey Bar Top Ladder 'A' to Monkey Bar End Ladder 'B' with metal Monkey Bar Plates between the two as shown with hardware shown in Fig. 25. (Make sure Swing Hangers point down.)

Step 2: Attach (2) L-brackets to the end of each Top Ladder rail with hardware shown. (see Fig 26)



# Phase 15 Monkey Bar Assembly

## Items Used in this Phase

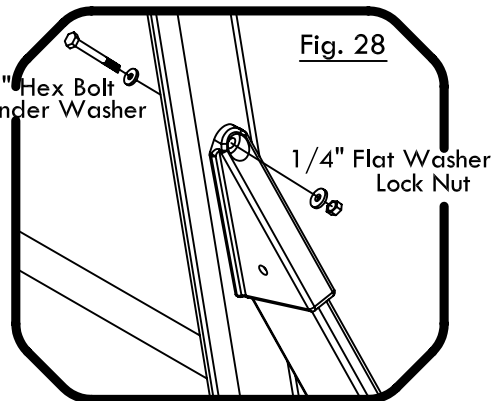
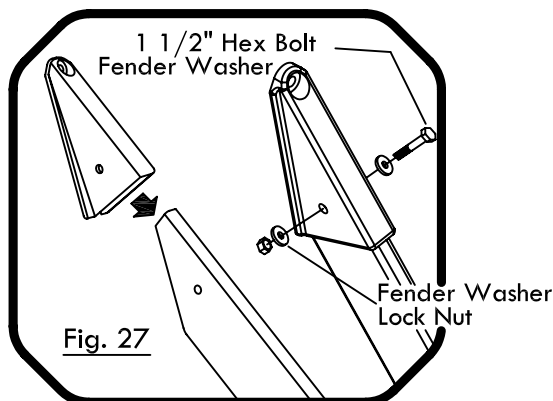
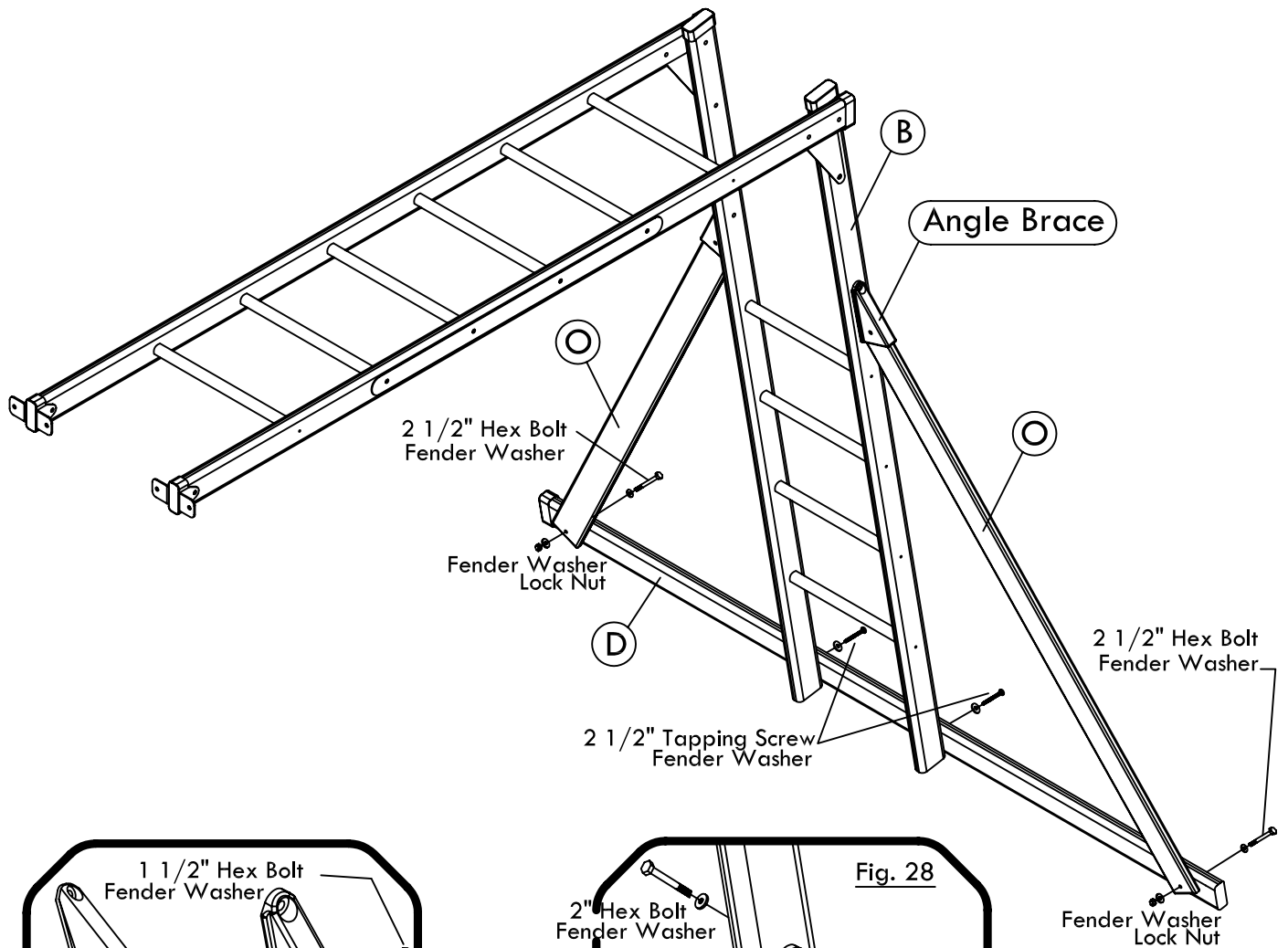
- (1) Monkey Bar Ground Beam 'D'
- (2) Monkey Bar Angle Braces 'O'
- (2) Angle Brace Brackets

Step 1: Attach Angle Brackets to Angle Braces 'O' with 1 1/2" hex bolts as shown in Fig 27.

Step 2: Attach Angle Braces 'O' to Monkey Bar Ground Beam 'E' with 2 1/2" hex bolts, flat washers and lock nuts as shown.

Step 3: Attach Angle Braces 'O' to End Ladder 'B' with 2" hex bolts & hardware shown in Fig 28.

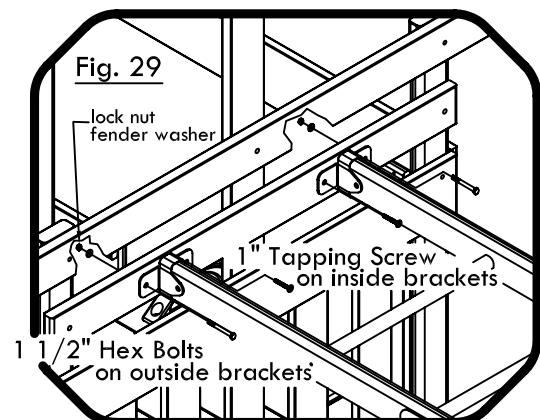
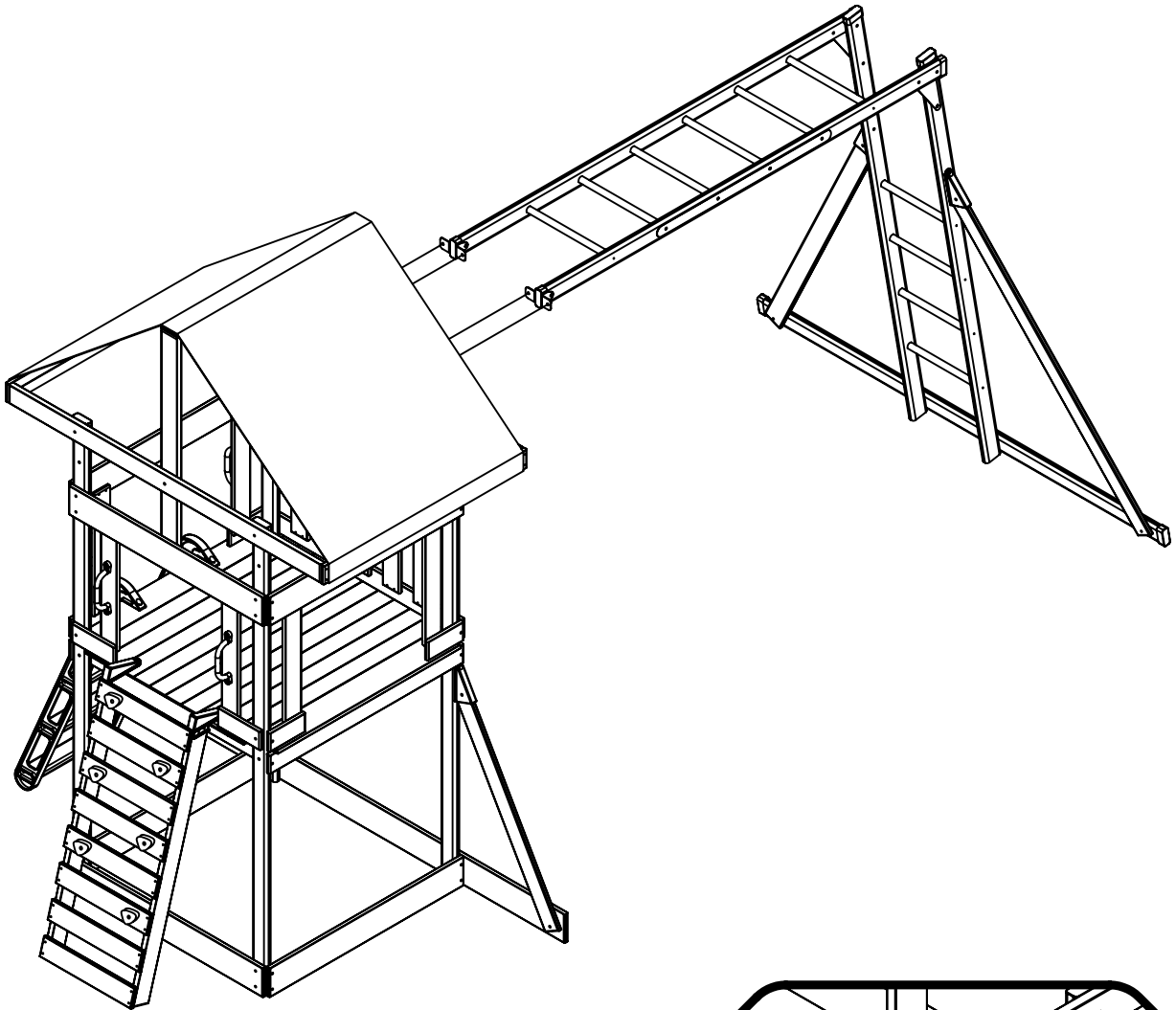
Step 4: Attach Monkey Bar Ground Beam 'D' to End Ladder 'A' with 2 1/2" tapping screws with fender washers.





# Phase 16 Monkey Bar Attachment

Step 1: Attach Monkey Bar Assembly to Attachment Rail 'H' by placing a 1 1/2" hex bolt through hole on the outside I-brackets and then through hole on rail. Attach inside I-brackets to Attachment Rail 'H' with 1" tapping screws. (see Fig. 29)



# Phase 17 Glider Assembly

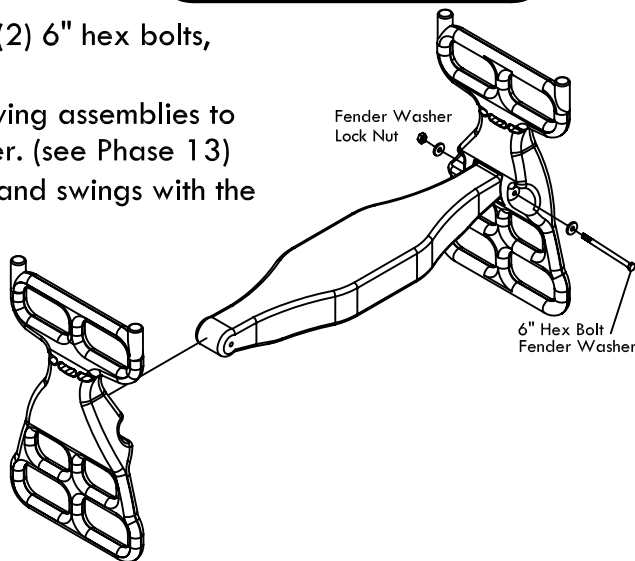
## Items Used in this Phase

- (2) Glider Arms w/Chain
- (1) Glider Seat
- (2) Swing Assemblies

Step 1: Insert glider seat into glider arms & attach with (2) 6" hex bolts, (4) fender washers & (2) lock nuts as shown.

Step 2: After assembly is complete, attach glider and swing assemblies to swing hangers located on monkey bar top ladder. (see Phase 13)

Note: You may need to adjust the height of the glider and swings with the chain so that they are at least 8" off the ground.



# Phase 18 slide Attachment

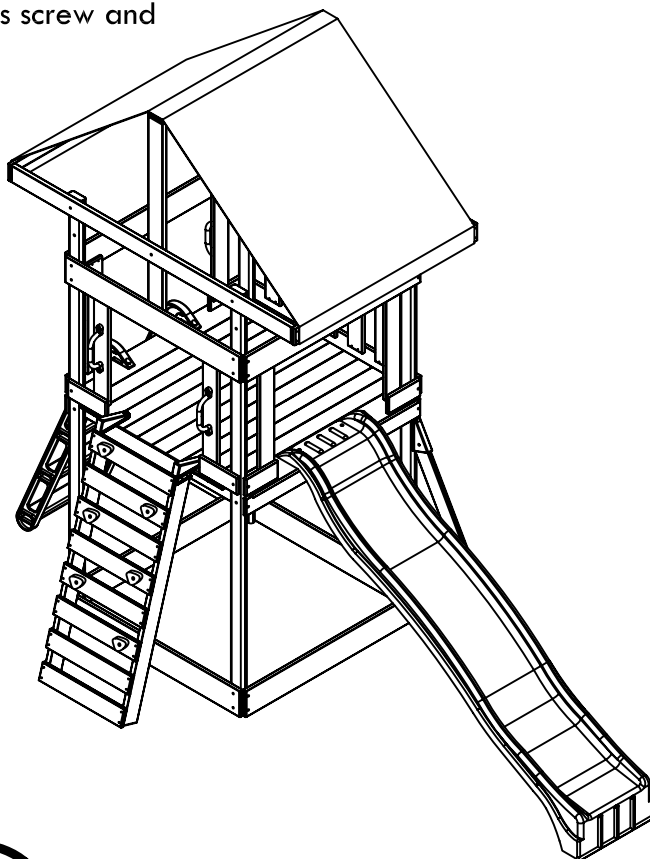
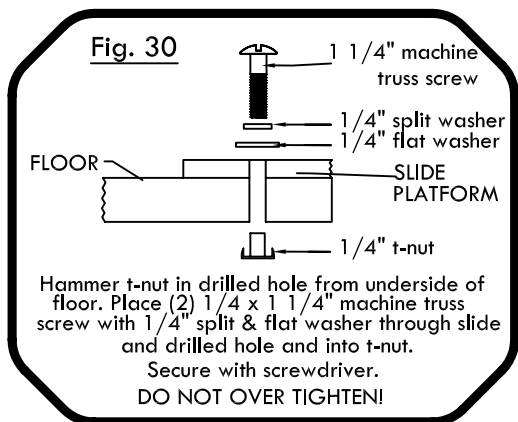
## Items Used in this Phase

- (1) Wave Slide

Step 1: Center the wave slide in the opening opposite the deck ladder.

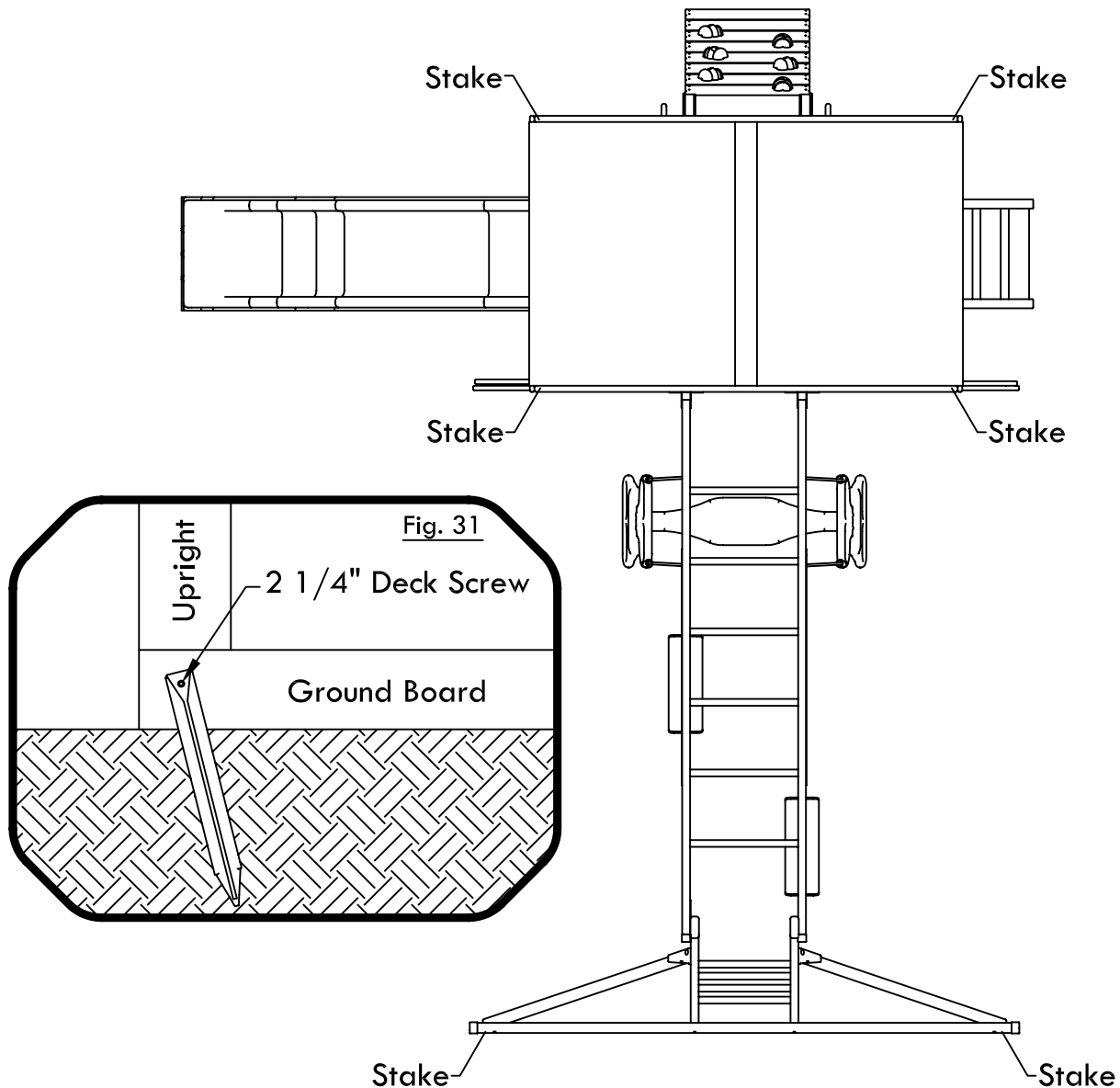
Step 2: Using a drill with a 5/16" bit, drill a hole through the indentions on the slide and through the fort floor.

Step 3: Insert a 1/4" T-nut under the floor into drilled hole, and attach slide with 1/4"x1 1/4" Machine truss screw and washers as shown in Fig. 30 below.



# Phase 19 Anchoring Instructions

Step 1: Drive Stakes into ground against boards where shown below and attach with (1) 2 1/4" deck screw each as shown in Fig. 31.



Note: Failure to use stakes can void warranty & cause injury.

Final Step: Double check and make sure every bolt, screw and nut is tight. Make sure every board is secure. Make sure the fort is level and enjoy your playset.

# Frequently Asked Questions

Q: What size of play area do you recommend around the playset so my child may play safe??

A: We recommend at least a six-foot play perimeter around the playset.

Q: My swing set seems to sway or rock too much. What is wrong?

A: Rocking is caused by uneven ground or obstructions such as rocks, roots, etc. under the ground rails. These obstructions should be removed and the ground underneath leveled to prevent rocking. If the fort itself is moving, it is usually caused because the fort is not staked down. Staking is required and will stop most of the movement.

Q: The end ladder is not straight up and down. What is wrong?

A: Nothing is wrong. The end ladder does not form a 90° angle. It has an angle to it.

Q: The S-hooks for my swings won't close. What is wrong?

A: The S-hook must be on a solid foundation when trying to close. It takes quite a few strokes, but the S-hook will close.

Q: The top ladder does not have holes for the swing hanger lags. Why not?

A: The top ladder is probably installed upside-down.

Q: My wood appears to be cracking. Is that a problem?

A: No, expansion and contraction of wood due to weather changes will cause slight cracking (technically called checking) and distortion. These are natural characteristics of wood and do not affect the structural integrity of the playset.

Q: My 2x4 boards do not measure 2"x4". Why not?

A: It has been common practice in the U.S. to use the rough-cut dimension from a sawmill to describe the width and height of a particular piece of lumber. Many retailers, designers, contractors and manufacturers utilize this description with a common and accepted knowledge that the actual size will vary from this description. Our sets are designed using the actual dimension. This ensures the sets will be assembled properly and be safe for the recommended use.

Q: How often should I re-stain my playset and what should I use?

A: The playset should be checked at least once a year depending on the weather. Lightly sand any rough areas and re-stain the set with a waterborne transparent stain.





# Limited Warranty

Adventure Playsets Inc. insures to the original owner of our product, that the components of our set are free from defect in materials and will be warranted for one year from the date of purchase. In addition, all wooden components will be warranted against rot or insect damage for 12 Years to the original owner. All non-wood components will carry a one-year warranty only.

All defective parts that are discovered and reported in the first thirty days after purchase will be replaced at no charge to the registered customer. After thirty days of purchase shipping and handling charges for replacement warranty parts will be passed on to the consumer.

All returned goods will be accessed by our customer service department. We will not accept any goods without an authorization code. Our customer service department will give out all codes. Failure to supply authorization code with shipment will void all said warranty. Our customer service department can be reached at 1-800-856-4445.

## **This Limited Warranty does not cover the following:**

- ❑ The cost of labor required to re-install or disassemble the defective component.
- ❑ The cost of air freight
- ❑ The cost of freight after the initial 30 days from purchase.
- ❑ Cosmetic defects that do not affect the structural integrity of the play center.
- ❑ Any abnormal conditions such as vandalism, improper installation, misuse or abuse, or improper maintenance.
- ❑ Damage done by nature such as wind, lightning, severe weather, etc...
- ❑ Natural defects of wood such as warping checking or any other physical properties of wood that do not present a hazard.

Adventure Playsets products have been carefully designed to insure your child's safety. Any modifications to your playsystem could result in serious injury as well as void all warranties.

**Our playsets are designed for Residential use only, for children between the ages of 3 and 10, for a single-family dwelling. Commercial use such as nurseries, parks or schools, voids all warranties and liabilities.**

# Warranty claim procedure

If you are confident that your playsystem has been installed and maintained properly, and you have a warranty claim, proceed with the following steps:

1. We will need copy of your proof of purchase (Vendor sales receipt only.)
2. We require a brief written description of the warranty issue.
3. Photos of warranted parts and of the entire play system.

If **any** of the above steps are not completed, there may be delays in the completion of your claim, or possibly warranty cancellation.

Mail information to:

**Adventure Playsets  
14201 I-27  
Amarillo, Texas  
79119**

or email at

**[custservice@adventureplaysets.com](mailto:custservice@adventureplaysets.com)**

Our customer service department will review the claim and make contact with the customer by mail or by phone. The customer will only pay for shipping and handling to and from factory if warranty is approved.

**1-800-856-4445**

Service department hours Monday thru Friday 9am to 5pm

Saturday 9am to 2pm

Central standard time



# Customer Registration Card

Name: \_\_\_\_\_

Address: \_\_\_\_\_

City: \_\_\_\_\_ State: \_\_\_\_\_ Zip: \_\_\_\_\_

Home Phone: \_\_\_\_\_

Date of Purchase: \_\_\_\_\_ Date Stamped on Box: \_\_\_\_\_

Vendor Name: \_\_\_\_\_

City: \_\_\_\_\_ State: \_\_\_\_\_ Zip: \_\_\_\_\_

Unit Model: 1-AP016-06 Unit Name: The Durango - 2006

Please check the boxes below:

How old are you?

18-30       31-43       44-56       Older than 56

How would you rate the quality of our product?

Above Average       Average       Fair       Poor

How would you rate the ease of assembly of our product?

Above Average       Average       Fair       Poor

How would you rate our instructions?

Above Average       Average       Fair       Poor

Would you recommend our product to friends & family?

Yes       No

How old are your children?

3-4       5-6       7-8       9-10

Where did you hear about us?

Friend       Store Display       Advertisement       Internet

Comments: \_\_\_\_\_

\_\_\_\_\_  
\_\_\_\_\_  
\_\_\_\_\_  
\_\_\_\_\_



# Customer Registration Card

**Do not forget to send in your registration card to the factory.  
This card will validate your time of purchase for warranty items.**

Fold here

---

**Place  
stamp  
here**

**Adventure Playsets  
14201 I-27  
Amarillo Texas, 79119**

**THIS IS YOUR UK WARRANTY CARD - PLEASE RETAIN THIS PART**

YOU WILL NEED TO QUOTE THE DETAILS BELOW TO OBTAIN PARTS UNDER WARRANTY

The Durango  
1-AP016-06

Purchased from: ..... Date:.....



Plum Products Ltd:

Helpline for Parts and Enquiries: 08700 170 580 (UK)

✂.....

**TO VALIDATE UK WARRANTY - PLEASE RETURN THIS PART**

PLEASE RETURN THIS HALF WITH A  
COPY OF YOUR SALES RECEIPT TO:

PLUM PRODUCTS DISTRIBUTION CENTRE  
DEPT REG  
INGHAM  
LINCS  
LN1 2YQ

CUSTOMER DETAILS:

Name:.....

Address .....

.....

Postcode:.....

Purchased from:.....

Purchase Date:.....

The Durango  
1-AP016-06