

# Owner's Manual And Assembly Instructions



## The Belmont

Model 1-AP003

Dear Customer:

Thank you for purchasing a Backyard Adventures Playcenter. We hope it will bring you and your children many years of safe and enjoyable backyard fun. Backyard Adventures equipment is recommended for use by **children 3 to 11 years of age**. Backyard Adventures structures are **not intended for public use**. **Backyard Adventures does not warranty any of its residential structures subjected to commercial use.**

Please follow all recommendations below. **Failure to do so may result in the warrant being void and/or safety violations that could result in serious injury.** The following information has been provided to help you in your installation, continued satisfaction, and safe operation of your Backyard Adventures Inc. purchase.

Always keep the safety of your children in mind as your play structure is being built and as your children play on the set. **Children must not use the Playcenter until completely assembled and properly installed and anchored to prevent serious injury.** Before your children play on the set please review the Operation instructions with them to help ensure their safety.

**PLEASE RETAIN THESE INSTRUCTIONS FOR FUTURE REFERENCE.**  
**KEEP THEM IN A SAFE PLACE WHERE YOU CAN REFER TO THEM AS NEEDED.**

***General information:***

<b><u>Manufacturer</u></b>	Backyard Adventures	<b><u>Dealer</u></b> _____
	14201 Interstate 27	_____
	Amarillo, TX 79119	_____
	Ph. 1-800-856-4445 (for Mass Mer)	_____
	Fax 806-622-1515	_____
	e-mail – <a href="mailto:info@backyardadv.co">info@backyardadv.co</a> (Specialty e-mail address)	
	<a href="mailto:info@adventureplaysets.com">info@adventureplaysets.com</a> ( Mass Merchant e-mail address)	

**Unit Type:**

Unit Name: The Belmont	Revision Date:2/23/02
Unit Model Number:	Model 1-AP003
Instruction Manual Information	

Maximum Fall Height: 7'-8"

The instructions and owner's manual for your new Playcenter should be read in its entirety before starting assembly to minimize problems and safety issues during the assembly process. We recommend this be done after your have identified all of the parts for your Playcenter as discussed in the Helpful Installations Hints section below.

***Positioning Your Playcenter***

1. The Playcenter is designed to be installed on a level surface. Try to place in a flat area of your yard to minimize ground preparation.
2. Place the equipment not less than 6 ft from any structure or obstruction such as a fence, garage, house, overhanging branches, laundry lines, or electrical wires.
3. It is a good idea to place your Playcenter in an area that is convenient for adults to watch children at play.
4. The area that you choose should be policed for glass, rocks or anything jagged or sharp that could endanger your children's safety. The surface underneath your play system can cause or prevent injuries. We have additional suggestions in the Suggested Playground Surfacing Section.

### ***Anchoring Instructions***

Anchoring instructions are included in the installation instructions along with 6 wooden anchoring stakes for normal installations. The accessory, Anchor It kit, should be used if the Playcenter is to be used in sandy soil. The kit includes 4 powder coated anchors, fully illustrated plans, and all the hardware required for installation.

### ***Tools Required for Installation:***

1. 3/8" Drill
2. 3/8" socket wrench
3. 7/16" socket, 1/2 box wrench
4. 7/16" box wrench, 1/2 " box wrench
5. Tape measure
6. Level
7. Phillips bit for drill
8. 3/8" socket drive adapter for drill (optional)
9. 1/4", 5/16" and 3/8" drill bit
10. Hammer

### ***Helpful Installation Hints***

1. Identify all of the parts for your Playcenter. Empty each box and lay out boards so you can see each part. Your instruction book will have detailed drawings that will make it easy for you to recognize individual parts. Keep all hardware and metal parts separated from wooden pieces.
2. After everything is laid out, check carefully to ensure all parts are present. Make sure there are no broken boards.
3. Find an area to sort your hardware. It is best to open the hardware onto a solid surface so that you do not lose any hardware in the grass. This will save time and help you to familiarize yourself with all the different pieces in the hardware bag.
4. Important note: Wood has some natural defects such as knots, surface cracks, etc... We reject parts that are structurally defective. We use a high quality

- lumber in our structures; however, you should inspect each part for splinters or rough spots and sand them smooth to prevent injury.
5. After steps 1 thru 4 have been completed, read all the way through the instructions completely. Reading instructions after you have studied the parts will help you understand more clearly the installation process, and help to eliminate unnecessary mistakes.
  6. Pay close attention to the diameter and length of each bolt and screw. There will be different sizes in the same bag, so they must be sorted correctly.
  7. Swing hangers should be buried past the threads, so that the loop is against the swing beam. Backyard Adventure cannot be responsible for incorrect installations or swing hangers. Failure to properly install swing hangers may cause severe injury.
  8. Never tighten hardware completely at first. It helps to have some adjustment for bolt alignment while you are attaching parts together. After everything is square tighten each joint.
  9. After the main unit is assembled it is critical that the floor is level and square. If the main frame is not level, the walls and floor will be out of square.
  10. After you complete installation, make sure every bolt, screw, and nut is tight, and every board is secure. Wood will expand and contract with the seasons. Check all bolt connections and swing hangers every two weeks.

**READ! VERY IMPORTANT!**

If you are missing parts or have questions regarding the installation of our quality product PLEASE call us directly at the factory (1-800-856-4445). Our trained staff will be happy to assist you.

**Customer service hours:**

**Monday thru Friday 9am to 5pm**

**Saturday 9am to 2pm**

**Central Standard Time.**

e-mail: [custservice@adventureplaysets.com](mailto:custservice@adventureplaysets.com)

***Suggested Playground Surfacing***

- ❑ Playground equipment should never be placed on hard surfaces such as concrete or asphalt. While grass may appear to be soft, it can turn hard very quickly in high traffic areas.
- ❑ Shredded bark mulch, wood chips, fine sand and fine gravel, are commonly used as shock absorbing materials under play equipment. If used properly these materials can absorb some of the impact from a child's fall.
- ❑ All surface material should extend a minimum of 6 feet in all directions around the play area.

The following chart explains the fall height in feet from which a life threatening head injury would not be expected

### Critical Heights (in feet) of Tested Materials

Material	Uncompressed depth			Compressed depth
	6 in.	9 in.	12 in.	to 9 in.
Wood Chips	7	10	11	10
Double-shredded bark mulch	6	10	11	7
Engineered Wood Fibers	6	7	>12	6
Fine Sand	5	5	9	5
Coarse Sand	5	5	6	4
Fine Gravel	6	7	10	6
Medium Gravel	5	5	6	5
Shredded Tires*	10-12	N/A	N/A	N/A

\* This data is from tests conducted by independent testing laboratories on a 6-inch depth of uncompressed shredded tire samples produced by four manufacturers. The tests reported critical heights, which varied from 10 feet to greater than 12 feet. It is recommended that persons seeking to install shredded tires as a protective surface request test data from the supplier showing the critical height of the material when it was tested in accordance with ASTM F1292.

This information is intended to assist you in comparing the relative shock absorbing properties of various materials. Each material is only effective when it is properly maintained at the proper depths determined necessary for your equipment.

### *Operating Instructions:*

NOTE: Observing the following statements and warnings reduce the likelihood of serious or fatal injury.

1. This Playcenter is designed for use with 5 occupants with a combined weight not to exceed 500 pounds.
2. On-site adult supervision is recommended and **should be required** for children of all ages.
3. Instruct children **not** to walk close to, in front of, behind, or between moving swings or other moving playground equipment.
4. Instruct children should sit and **never** stand on swings
5. Instruct children **not** to twist swing chains or ropes or loop them over the top support bar since this may reduce the strength of the chain or rope.
6. Instruct children to **not** jump from swings or other playground equipment in motion.
7. Instruct children to **avoid** swinging empty seats. They might come back and hit them and cause serious injury.
8. Instruct and teach children to sit in the center of the swings with their full weight on the seats.
9. Instruct children **not** to use the equipment in a manner other than intended.

10. Instruct children to **always** go down slides feet first. Never slide headfirst.
11. Instruct children to **look** before they slide to make sure no one is at the bottom.
12. Instruct children to **never** run up a slide, as this increases their chances of falling.
13. The parents should have the children **dress appropriately** with well-fitting shoes and the avoidance of ponchos, scarves, and other loose-fitting clothing that is potentially hazardous while using equipment). Always take off, tie up or tuck in cords and drawstrings on children's clothing. These things can get caught on playground equipment and strangle a child.
14. Instruct children **not** to climb when the equipment is wet.
15. Instruct children to **never** jump from a fort deck. Always use the ladder, ramp or slide.
16. Instruct children to **never** crawl or walk across the top of monkey bars.
17. Instruct children to **never** crawl on top of a fort roof.
18. Instruct children to **always** use two hands when going down a fireman pole.
19. Verify that any suspended climbing ropes, chain, or cable are secured at both ends and that they cannot be looped back on itself.
20. Instruct children **not** to attach items to the playground equipment that are not specifically designed for use with the equipment, such as, but not limited to, jump ropes, clothesline, pet leashes, cables and chain as they may cause a strangulation hazard.
21. The following warning statement applies only if your equipment has two- or four-passenger lawn swings that have an opening between the seat and the back surfaces: **WARNING:** Lawn swings are designed for use by children two years of age and older. Use by children under the age of two can result in entrapment between the seat and back areas. **NEVER** place children in a rearward facing position or with legs between the seat and backrest because the child's body may pass through the opening causing entrapment of the child's head.

### ***Maintenance Instructions:***

1. Check all nuts and bolts twice monthly during the usage season for tightness and tighten as required. (But not so tight that you crack the wood) We recommend you check the swing beam and hardware every two weeks due to wood expansion and contraction. It is particularly important that this procedure be followed at the beginning of each season.
2. Remove plastic swing seats and take indoors or do not use when the temperature drops below 32 °F.
3. Oil all metallic moving parts monthly during the usage period.
4. Check all coverings for bolts and sharp edges twice monthly during usage season to be certain they are in place. Replace when necessary. It is especially important to do this at the beginning of each new season.
5. Check swing seats, ropes, cables and chains monthly during usage season for evidence of deterioration. Replacement should be made of any swing seat that has developed cracks in the plastic seats and has exposed metal in the edges of the swing seat. If there are already exposed metal inserts on the edge of the seat, immediately remove the seats and chains to prevent serious injury from the seat or

- the free-hanging chains. Ropes, cables and chains should be removed and replaced if excessive wear is found. Contact Backyard Adventures for replacement parts.
6. Sand rusted areas on metallic members such as monkey bars, hand supports, brackets, etc. and repaint using a nonlead-based paint meeting the requirements of Title 16 CRF Part 1303.
  7. Inspect wood parts monthly. The grain sometimes will lift in the dry season causing splinters to appear. Light sanding may be necessary to maintain a safe playing environment. If you are treating your Playcenter with stain regularly, it will help prevent severe checking and other weather damage.
  8. We recommend treating the wood components once or twice a year depending on the type of weather you have and when sanding has been required to maintain a good surface. We treat our redwood with a Waterborne Transparent Stain. For details, contact the factory at 1-800-856-4445 or [custservice@adventureplaysets.com](mailto:custservice@adventureplaysets.com)
  9. Creating and maintaining the Playcenter on a location as close to level as possible is very important. As your children play, your Playcenter will slowly dig its way into the soil, and it is very important that it settles evenly. So make sure it is level and true once each year or at the beginning of each play season.

### ***Disposal Instructions:***

When the Playcenter use is no longer desired, it should be disassembled and disposed of in such a way that no unreasonable hazards will exist at the time the unit is discarded.

## APPENDIX A

### *Information on Playground Surfacing Materials:*

The following information is from the *United States Consumer Product Safety Commission's Information Sheet for playground surfacing material*. Also see the following website for additional information: [www.cpsc.gov/cpscpub/pubs/323.html](http://www.cpsc.gov/cpscpub/pubs/323.html).

#### X3. CONSUMER INFORMATION SHEET FOR PLAYGROUND SURFACING MATERIALS<sup>11</sup>

X3.1 The U.S. Consumer Product Safety Commission (CPSC) estimates that about 100,000 playground equipment-related injuries resulting from falls to the ground surface are treated annually in U.S. hospital emergency rooms. Injuries involving this hazard pattern tend to be among the most serious of all playground injuries, and have the potential to be fatal, particularly when the injury is to the head. The surface under and around playground equipment can be a major factor in determining the injury-causing potential of a fall. It is self evident that a fall onto a shock-absorbing surface is less likely to cause a serious injury than a fall onto a hard surface. Playground equipment should never be placed on hard surfaces such as concrete or asphalt and while grass may appear to be acceptable it may quickly turn to hard packed earth in areas of high traffic. Shredded bark mulch, wood chips, fine sand or fine gravel are considered to be acceptable shock absorbing surfaces when installed and maintained at a sufficient depth under and around playground equipment.

X3.2 Table X3.1 lists the maximum height from which a child would not be expected to sustain a life-threatening head injury in a fall onto four different loose-fill surfacing materials if they are installed and maintained at depths of 6, 9, and 12 in. However, it should be recognized that all injuries due to falls cannot be prevented no matter what surfacing material is used.

X3.3 It is recommended that a shock absorbing material should extend a minimum of 6 ft in all directions from the perimeter of stationary equipment such as climbers and slides. However, because children may deliberately jump from a moving swing, the shock absorbing material should extend in the front and rear of a swing a minimum distance of 2 times the height of the pivot point measured from a point directly beneath the pivot on the supporting structure.

X3.4 This information is intended to assist in comparing the relative shock-absorbing properties of various materials. No particular material is recommended over another. However, each material is only effective when properly maintained. Materials should be checked periodically and replenished to maintain correct depth as determined necessary for your equipment. The choice of a material depends on the type and height of the playground equipment, the availability of the material in your area, and its cost.

<sup>11</sup>This information has been extracted from the CPSC publications "Playground Surfacing — Technical Information Guide" and "Handbook for Public Playground Safety." Copies of these reports can be obtained by sending a postcard to the : Office of Public Affairs, U.S. Consumer Product Safety Commission, Washington, D.C., 20207 or call the toll-free hotline: 1-800-638-2772.

The American Society for Testing and Materials takes no position respecting the validity of any parent right asserted in connection with any item mentioned in this standard. Users of this standard are expressly advised that determination of the validity of any such parent rights, and the risk of infringement of such rights, are entirely their own responsibility.

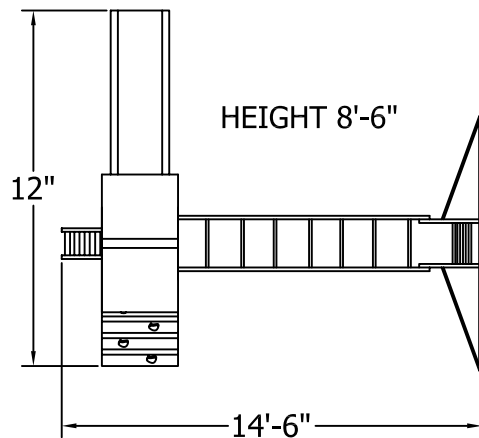
The standard is subject to revision at any time by the responsible technical committee and must be reviewed every five years and if not revised, either approved or withdrawn. Your comments are invited either for revision of this standard or for additional standards and should be addressed to ASTM Headquarters. Your comments will receive careful consideration at a meeting of the responsible technical committee, which you may attend. If you feel that your comments have not received a fair hearing you should make your views known to the ASTM Committee on Standards. 100 Barr Harbor Drive, West Conshohocken, PA 19428.



# The Belmont Assembly Instructions



## BASIC SETUP DIMENSIONS:



# PARTS IDENTIFICATION

ID LETTER

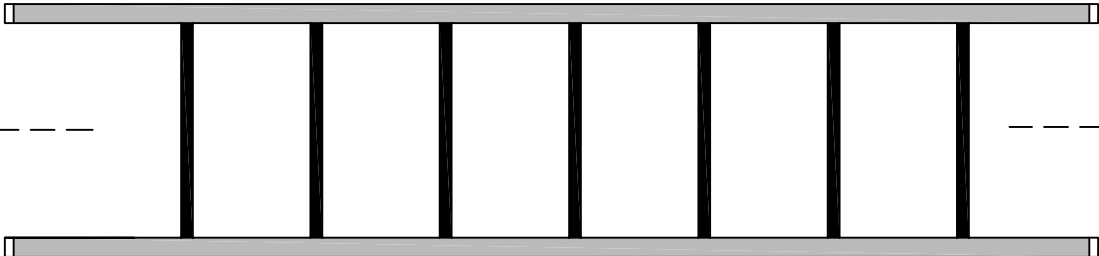
DESCRIPTION

QUANTITY

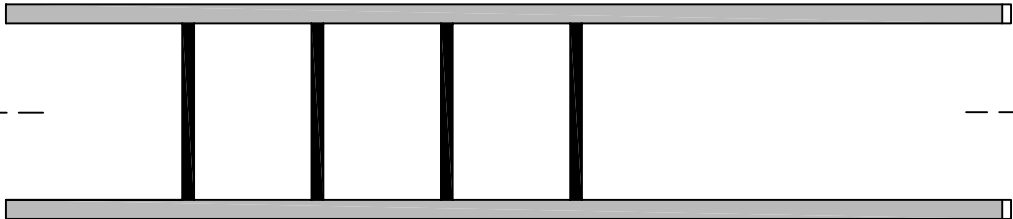
**A** --- 2x4x83 1/2" Upright (Green) 4LPF1007-04 --- **4**



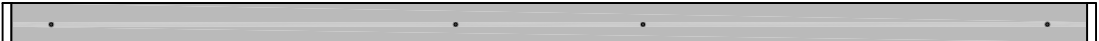
**B** --- 92" Rails/7 Rung Top Ladder Assembly (Green) 2A1028 --- **1**



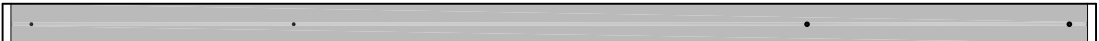
**C** --- 85 1/2" Rails/4 Rung End Ladder Assembly (Green) 2A1029 --- **1**




**D** --- 5/4x4x93" Monkey Bar Ground Beam (Green) 4LPF1008-04 --- **1**




**E** --- 5/4x4x93" Fort Ground Beam (Green) 4LPF1013-04 --- **1**



**F** --- 5/4x4x31" Ground Beam (Green) 4LPF1014-04 --- **2**




**G** --- 5/4x4x45" Ground Beam (Green) 4LPF1015-04 --- **1**



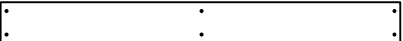
**H** --- 5/4x4x23" Rockwall Ground Beam (Green) 4LPF1012-04 --- **1**




**I** --- 5/4x4x75" Tarp Cross Brace 4L1326-04 --- **1**




**J** --- 5/4x4x45" Wall Rail/ Floor End Cap 4L1329-04 --- **3**



**K** --- 5/4x4x35" Tarp Support 4L1333-04 --- **1**




**L** --- 5/4x4x33 1/4" Wall Slat 4L1334-04 --- **10**



**M** --- 5/4x4x24" Tarp Upright 4L1335-04 --- **1**



**N** --- 5/4x4x8 3/8" Wall Rail Tabs 4L1336-04 --- **2**

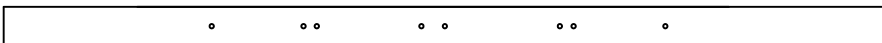


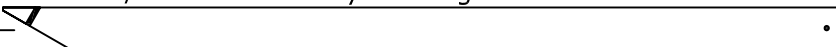
# PARTS IDENTIFICATION CONT.


ID LETTER

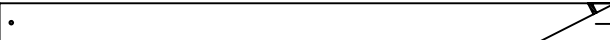
DESCRIPTION

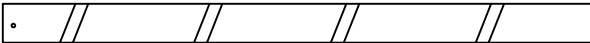
QUANTITY

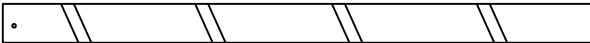
**O** -----  ----- **1**


**P** -----  ----- **2**


**Q** -----  ----- **1**

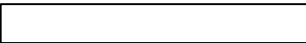
**R** -----  ----- **3**

**S** -----  ----- **1**

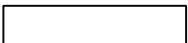
**T** -----  ----- **1**


**U** -----  ----- **2**

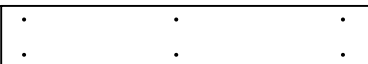
**V** -----  ----- **2**

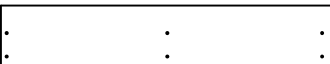
**W** -----  ----- **1**

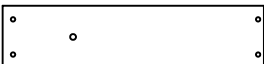
**X** -----  ----- **1**

**Y** -----  ----- **4**

**Z** -----  ----- **4**

**AA** -----  ----- **5**

**AB** -----  ----- **2**

**AC** -----  ----- **7**

# PARTS IDENTIFICATION CONT.

ID LETTER

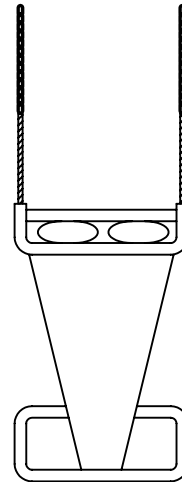
DESCRIPTION

QUANTITY

1- TARP - 4F1017



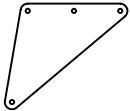
2-GLIDER ARMS W/PLASTIC COVER  
ROPE AND CHAIN -2A110-B



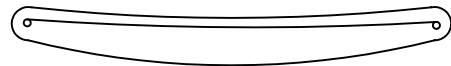
6-L-BRACKETS - 4M032



2-TRIANGLE END  
LADDER BRACES - 4M089



1-GLIDER SEAT - 6P023



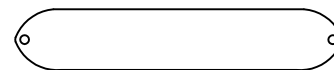
2-PAIR - HAND GRIPS - 6P002



4- GREEN PLASTIC COVERED  
SWING CHAINS - 4M1004

OTHER ACCESSORIES:

INSTRUCTIONS  
WAVE SLIDE 8' - 6P042  
ADVENTURE PLAYSETS STICKER  
2ML BOTTLE SUPERLOCK®NUTLOCK- 6CTL



2-SWING SEATS - 6P001



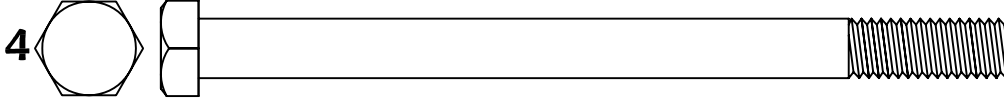
6- METAL STAKES - 4M040

# HARDWARE IDENTIFICATION

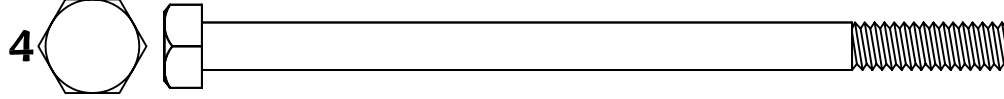
## FORT HARDWARE BAG

(Hardware is to scale)

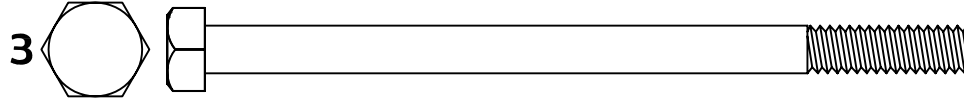
5/16" x 4 1/4" HEX BOLTS



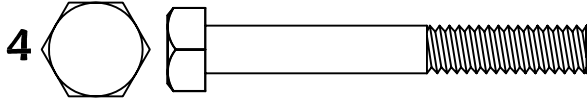
1/4 x 4 1/4" HEX BOLTS



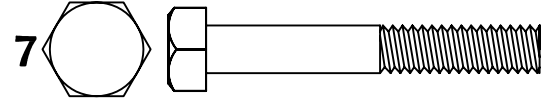
1/4 x 4" HEX BOLTS



1/4 x 2" HEX BOLTS



1/4 x 1 3/4" HEX BOLTS



2 1/4" DECK SCREWS



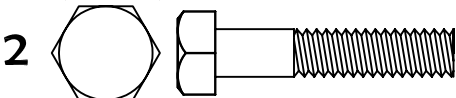
1 3/4" DECK SCREWS



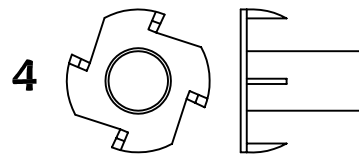
1 1/2" DECK SCREWS



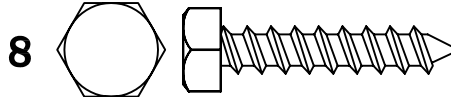
1/4 x 1 1/4" HEX BOLTS



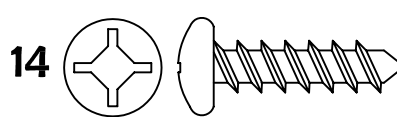
5/16" T-NUTS



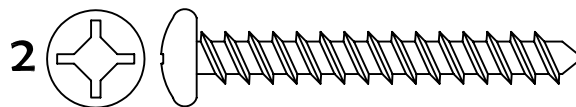
1/4" x 1 1/4" LAG SCREWS



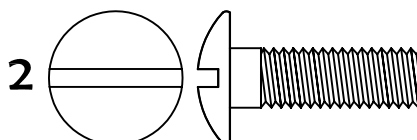
1" TAPPING SCREWS



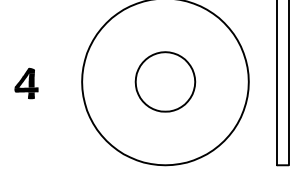
2" TAPPING SCREWS



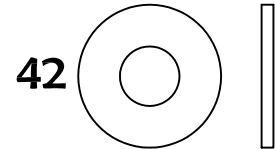
1/4" x 1 1/2" MACHINE TRUSS SCREW



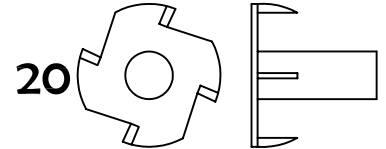
5/16" FLAT WASHERS



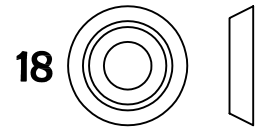
1/4" FLAT WASHERS



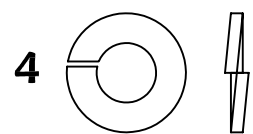
1/4" T-NUTS



1/4" FINISH WASHERS



5/16" SPLIT WASHERS



1/4" SPLIT WASHERS



1/4" LOCK NUTS

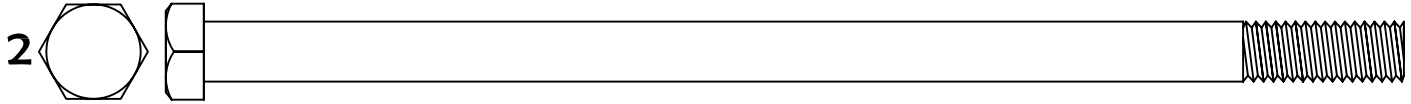


# HARDWARE IDENTIFICATION

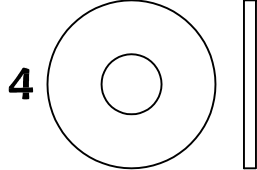
CONT.

## GLIDER HDW BAG

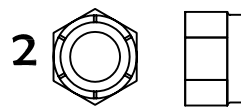
5/16" x 6 1/4" HEX BOLTS



5/16" FLAT WASHERS

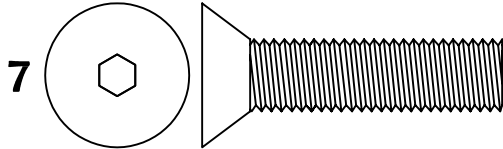


5/16" LOCK NUTS

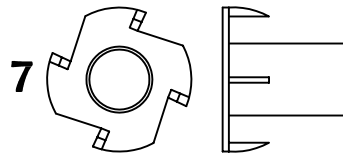


## ROCK HARDWARE BAG

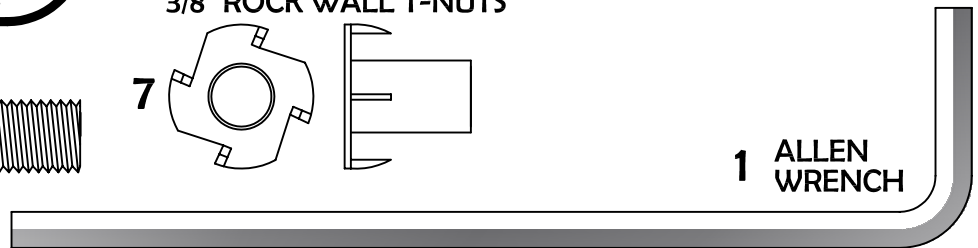
3/8" FLAT HEAD BOLTS



3/8" ROCK WALL T-NUTS



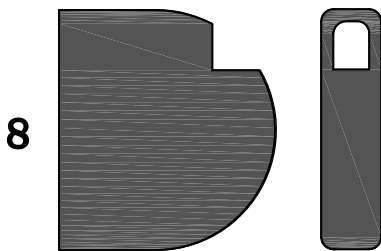
1 ALLEN WRENCH



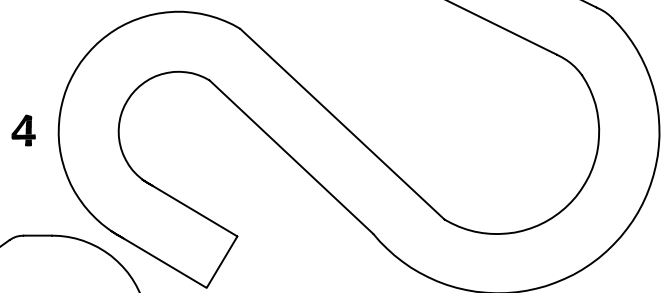
7 ROCKWALL ROCKS (NOT SHOWN)

## SWING HANGER BAG

BLACK PLASTIC SWING HANGER COVER



'S' HOOK



LAG SCREW SWING HANGER

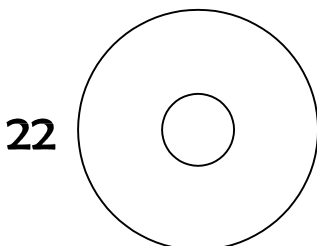


## MONKEY BAR RUNG HARDWARE BAG

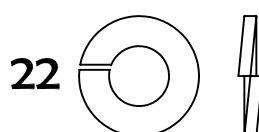
7 LONG THREADED ROD (NOT SHOWN)

4 SHORT THREADED ROD (NOT SHOWN)

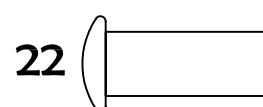
FENDER WASHER



SPLIT WASHER



BARREL BOLT



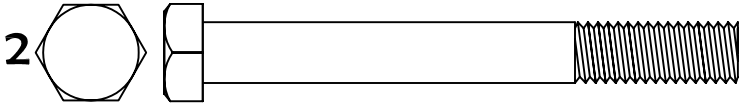
# HARDWARE IDENTIFICATION

CONT.

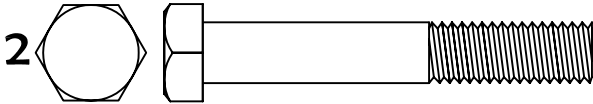
## MONKEY BAR HARDWARE

(Hardware is to scale)

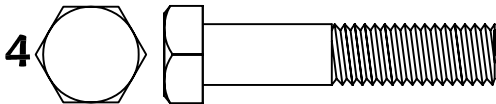
5/16" x 2 3/4" HEX BOLTS



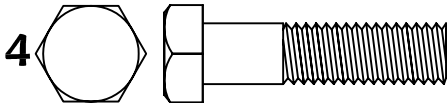
5/16" x 2" HEX BOLTS



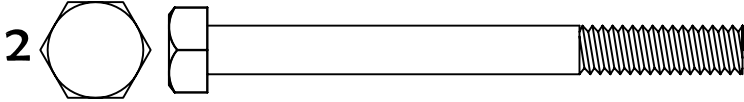
5/16" x 1 1/2" HEX BOLTS



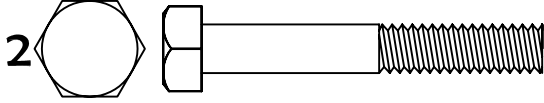
5/16" x 1 1/4" HEX BOLTS



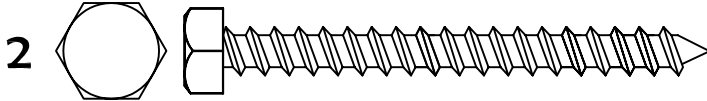
1/4 x 2 3/4" HEX BOLTS



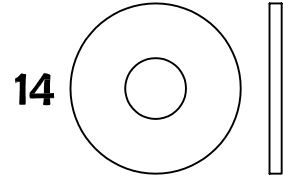
1/4 x 1 3/4" HEX BOLTS



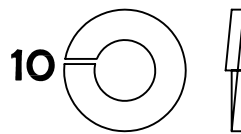
1/4" x 2 1/2" LAG SCREWS



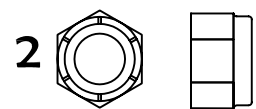
5/16" FLAT WASHERS



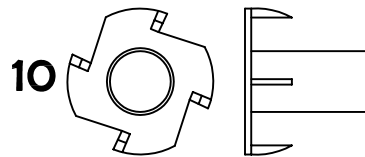
5/16" SPLIT WASHERS



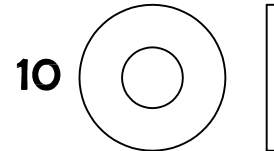
5/16" LOCK NUTS



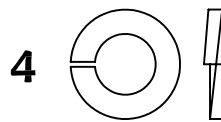
5/16" T-NUTS



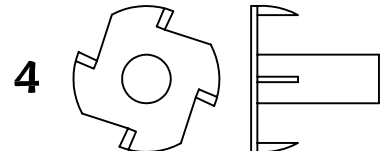
1/4" FLAT WASHERS



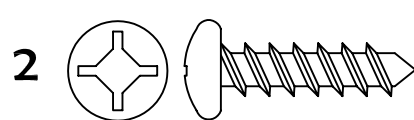
1/4" SPLIT WASHERS



1/4" T-NUTS



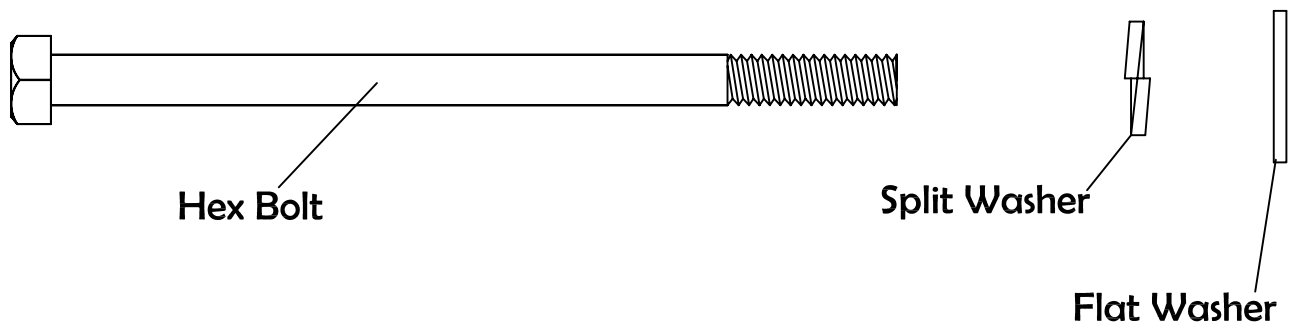
1" TAPPING SCREWS



# SPLIT WASHER INSTRUCTIONS

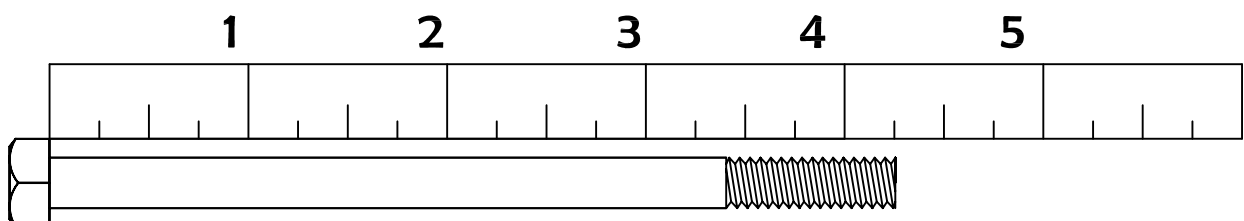
THROUGHOUT THESE INSTRUCTIONS, WHEN USING A T-NUT, A SPLIT WASHER MUST BE USED BETWEEN THE HEAD OF THE HEX BOLT & THE FLAT WASHER. USING THESE WASHERS WILL KEEP HEX BOLTS FROM LOOSENING FROM THE T-NUT.

IF USING A 1/4" HEX BOLT, A 1/4" WASHER MUST BE USED AND IF USING A 5/16" HEX BOLT, A 5/16" WASHER MUST BE USED.



## HOW TO MEASURE A BOLT

**NOTE: DO NOT INCLUDE BOLT HEAD WHEN MEASURING LENGTH OF BOLT.**





# PHASE 1

**Step 1:** Open all hardware bags in a box or in a secure container. Count and sort all hardware.

**Step 2:** Gather (4) Uprights 'A' & (2) Floor Supports 'V'.

**Note:** Holes offset 3/4" from side of upright 'A' should be towards inside of fort. This hole will be used later in assembly.

**Step 3:** Hammer T-nut into outer side of upright, and attach Floor Supports 'V' to Uprights 'A' with 2" Hex bolt, Split washers, flat washers, and T-nut through pre-drilled holes. See Fig. 1 (46 3/8" from bottom of upright).

(Do not fully tighten these bolts until after Phase 13. This will aid in the assembly process.)

**Note:** Use outside holes on floor supports 'V'.

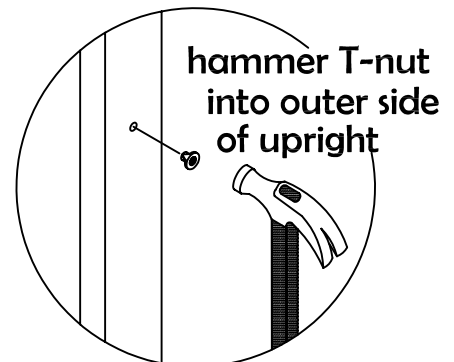
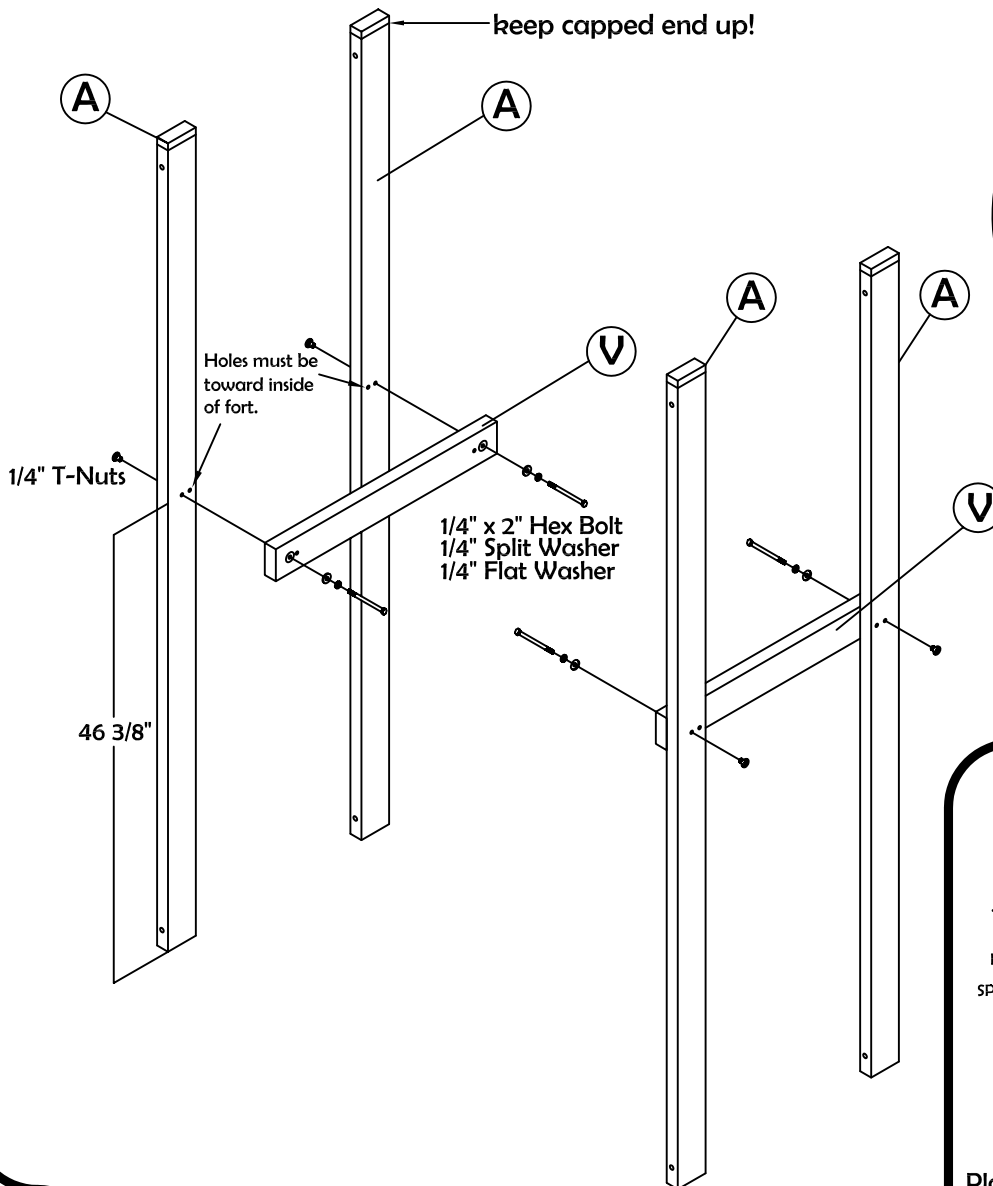
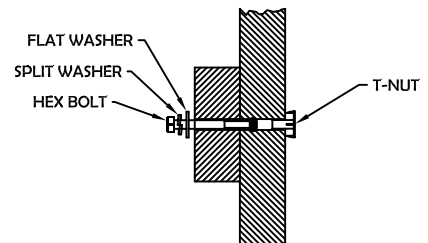


FIG. 1

## HARDWARE ILLUSTRATION: T-NUT



Place T-nut in pre-drilled hole. Tap in with hammer. Place bolt in opposite side. Hand tighten to make sure bolt is in T-nut. Secure with socket.  
**DO NOT OVER TIGHTEN!**

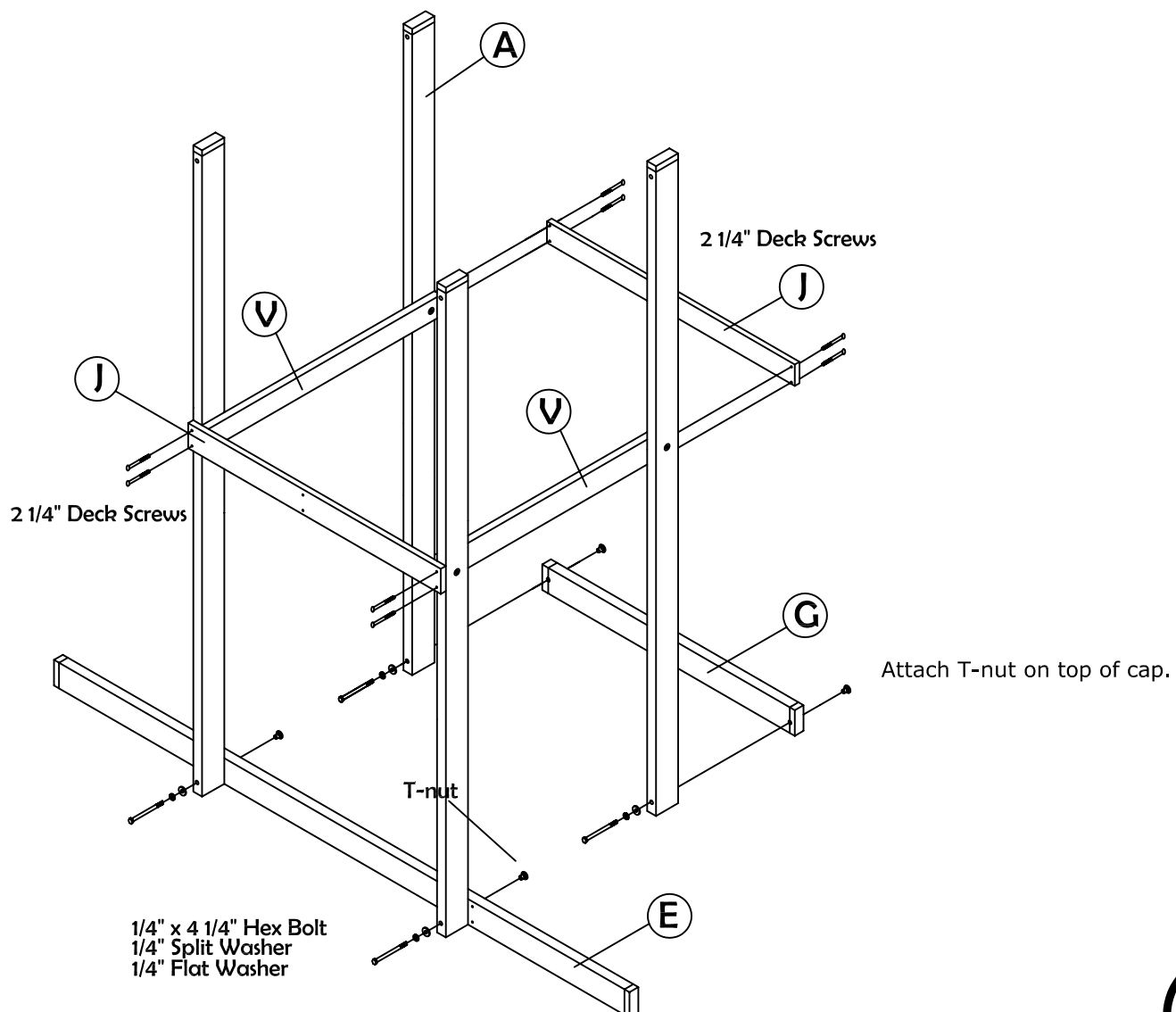
# PHASE 2

**Step 1:** Gather (1) Fort Ground Beam 'E', (2) Floor End Caps 'J' & (1) Ground Beam 'G'.

**Step 2:** Attach Fort Ground Beam 'E' & Ground Beam 'G' to uprights 'A' with 1/4"x4 1/4" hex bolts, split washer, flat washer & T-nut as shown.

**Step 3:** Attach Floor End Caps 'J' to uprights (bottom level with bottom of floor supports 'V') with 2 1/4" Deck Screws.

**Note:** Make sure Uprights & Ground Beams are square and level!!!!



# PHASE 3

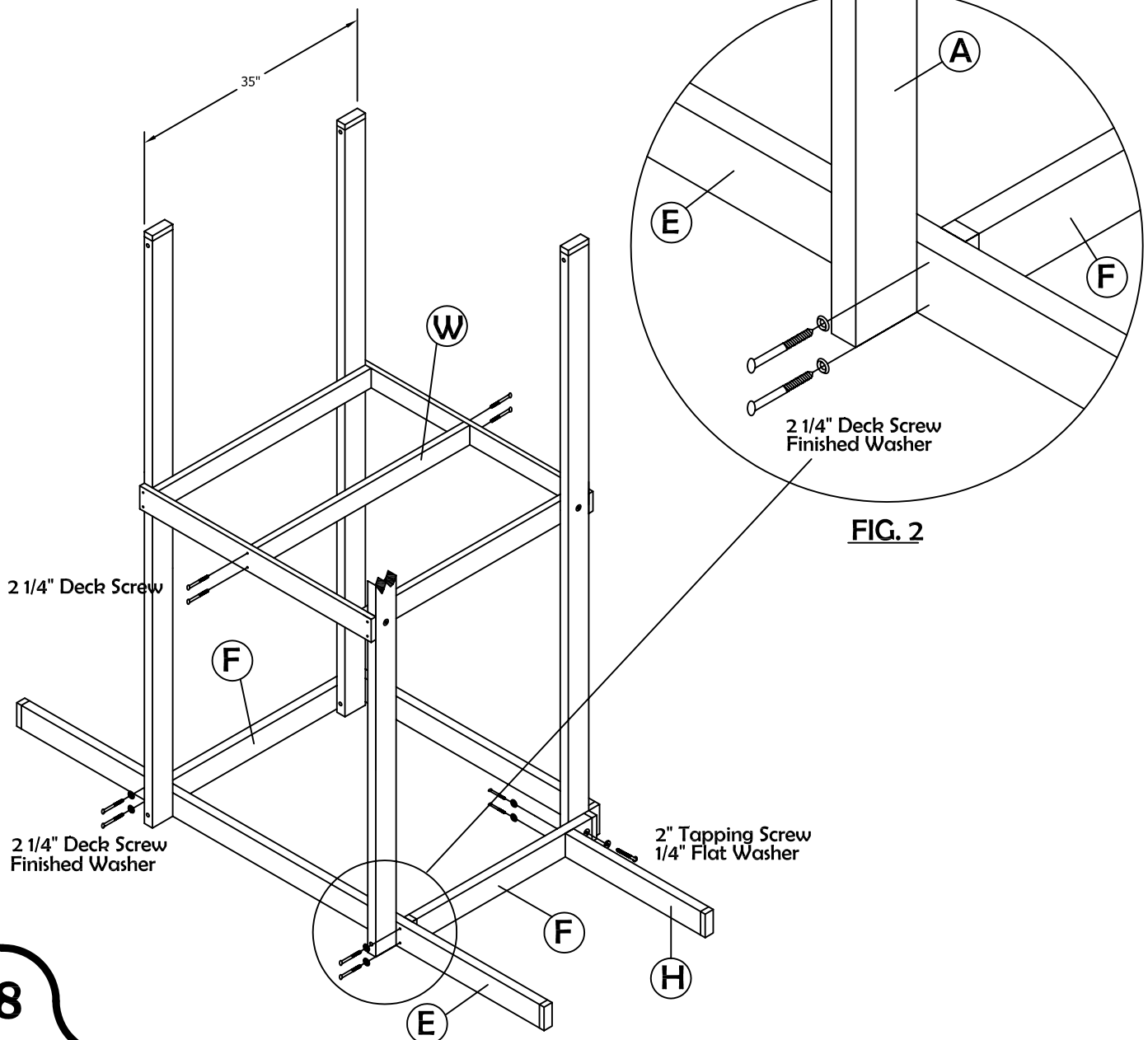
**Step 1:** Gather (2) Ground Beams 'F', (1) No Hole Floor Support 'W' & (1) Rockwall Ground Beam 'H'.

**Step 2:** Secure Ground Beams 'F' to Fort Ground Beam 'E' with 2 1/4" deck screws and Finish washer through pre-drilled holes as shown. (see fig. 2)

**Step 3:** Attach Ground Beams 'F' to uprights through offset pre-drilled hole with 2" Tapping Screws and 1/4" flat washer as shown with offset hole toward the ground. (make sure the uprights are 35" apart (outside to outside) before attaching screw)

**Step 4:** Center No Hole Floor Support 'W' between pre-drilled holes on previously attached Floor Supports & attach with 2 1/4" Deck Screws.

**Step 5:** Attach Rockwall Ground Beam 'H' with 2 1/4" deck screws and finish washers as shown.



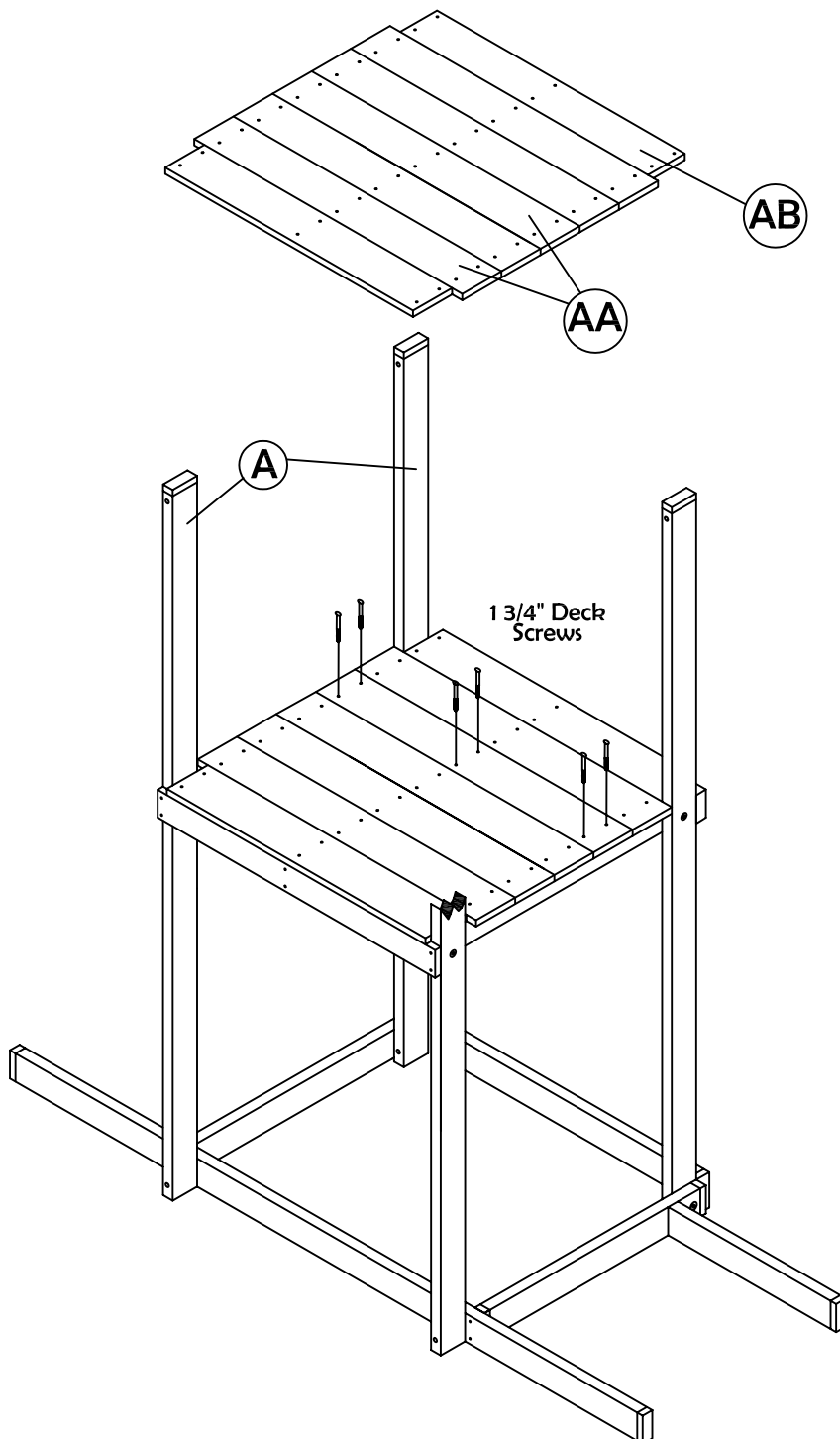
# PHASE 4

Step 1: Gather Floor Boards 'AA' (5) & 'AB' (2).

Step 2: Center (1) 'AA' Floor Board between uprights 'A' and secure w/ 1 3/4" deck screws through pre-drilled holes. You should have approx. 2 1/8" over hang.

Step 3: Place Floor Boards on Floor Supports as shown. Keep boards tight together and flush.

Step 4: Attach other Floor Boards with 1 3/4" deck screws as shown.



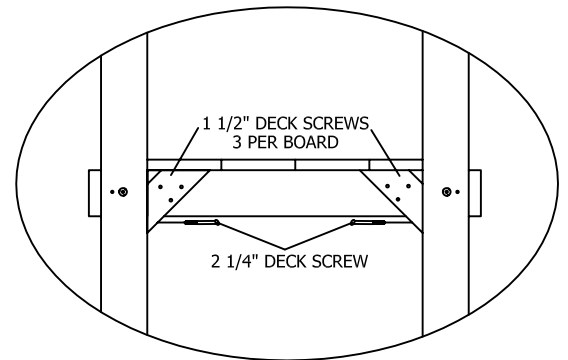
# PHASE 5

Step 1: Gather (4) Floor Gussets 'Z', (2) Wall Rail Tabs 'N' and (1) Wall Rail 'J'.

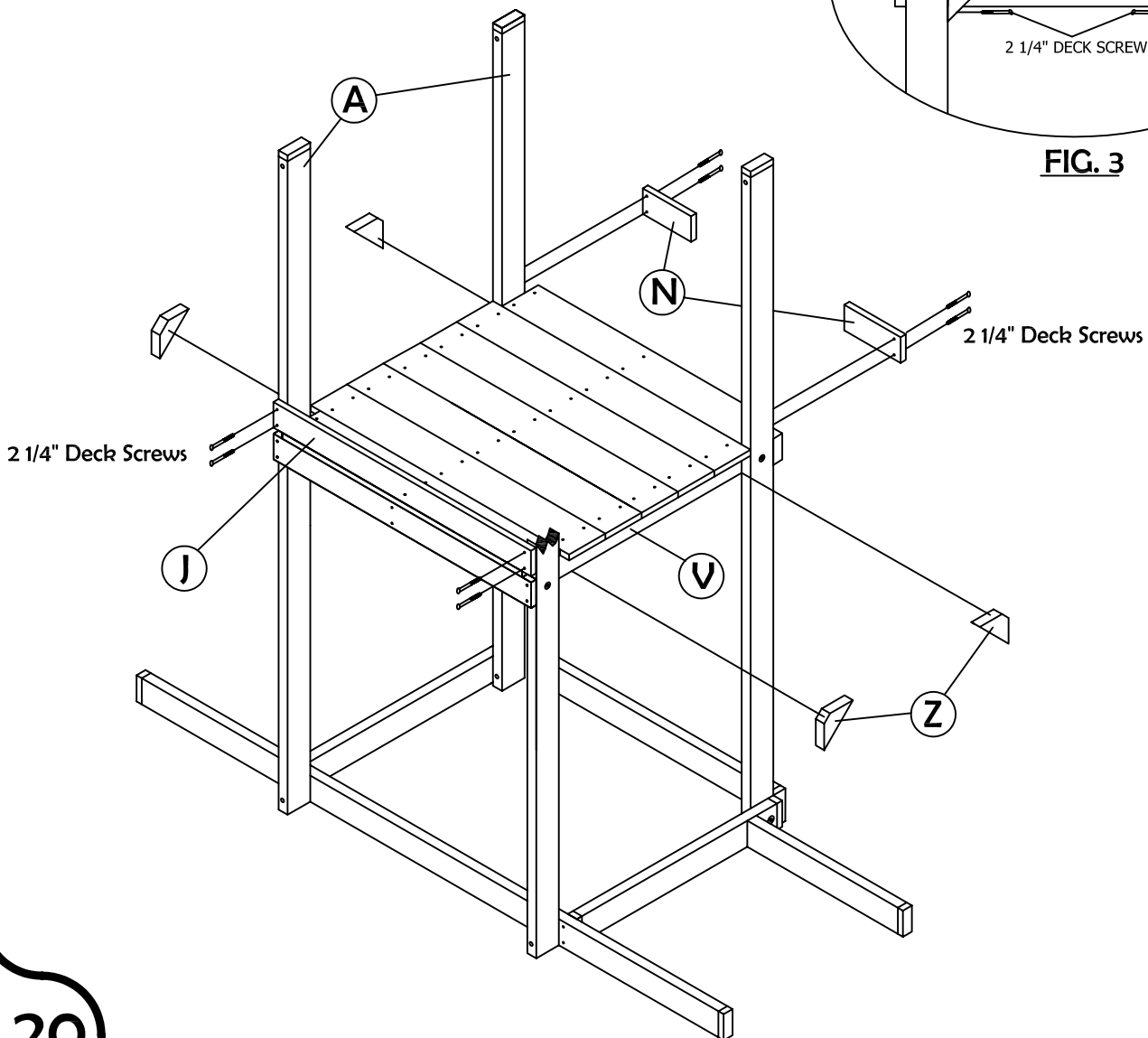
Step 2: Attach Floor Gussets 'Z' to Uprights 'A' & Floor Supports 'V' with (3) 1 1/2" deck screws and (1) 2 1/4" deck screw per board. (See fig. 3)

Step 3: Attach Wall Rail 'J' to Uprights 'A' with (4) 2 1/4" deck screws as shown.

Step 4: Attach Wall Rail Tabs 'N' to Uprights 'A' with (4) 2 1/4" deck screws as shown.



**FIG. 3**



# PHASE 6

**Step 1:** Gather (4) Deck Ladder Rungs 'Y', Deck Ladder Support 'X', Right and Left Deck Ladder Rails 'S' and 'T'.

**Step 2:** Assemble ladder as shown in detail below.

**Step 3:** Prop deck ladder assembly against Floor End Cap 'J' on the side with short Wall Tabs 'N'. Center L-brackets on end cap and attach with 1" tapping screws and 1/4" flat washers. (See deck ladder detail)

**NOTE:** This will help you get into the fort for the following phases.

## Assembly Instructions

- Place left ladder rail flat with dado cut facing up.
- Insert ladder rungs into dado cuts then place right rail with dado cuts down on rungs.
- Fasten rungs to rails with 2 1/4" deck screws through pre-drilled holes as shown.
- Attach ladder support to back side of rails with 2 1/4" deck screws.
- Attach L-brackets on outside of each ladder rail as shown in Deck ladder detail.

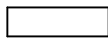
Inside view

Outside view

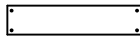


2 1/4" deck screws  
8 on each side

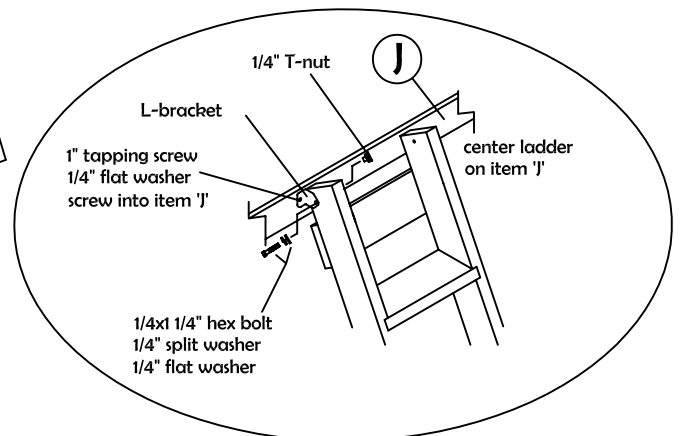
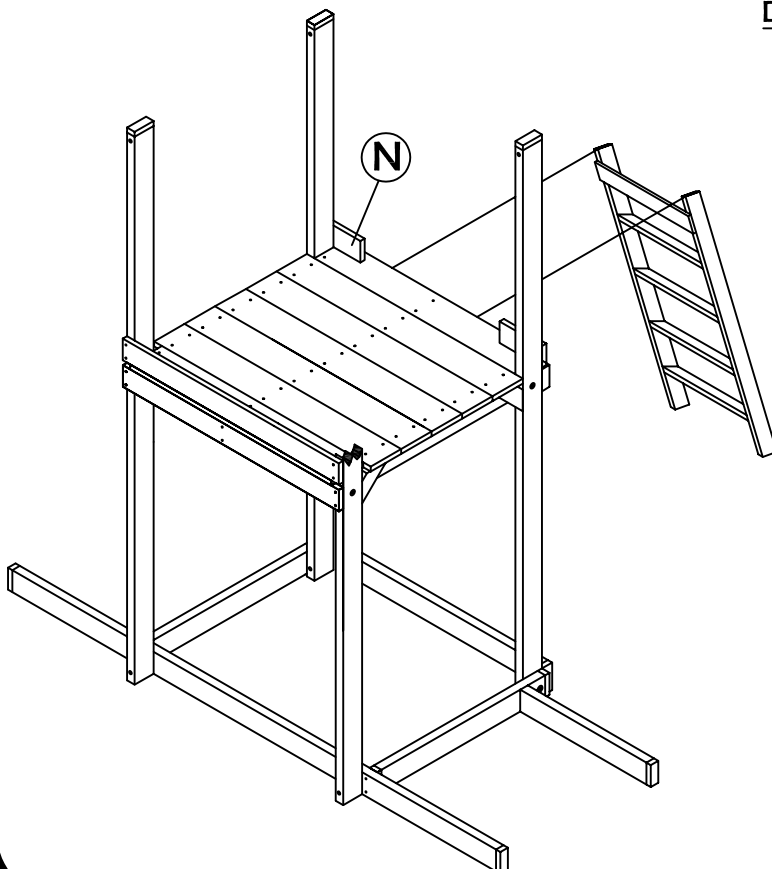
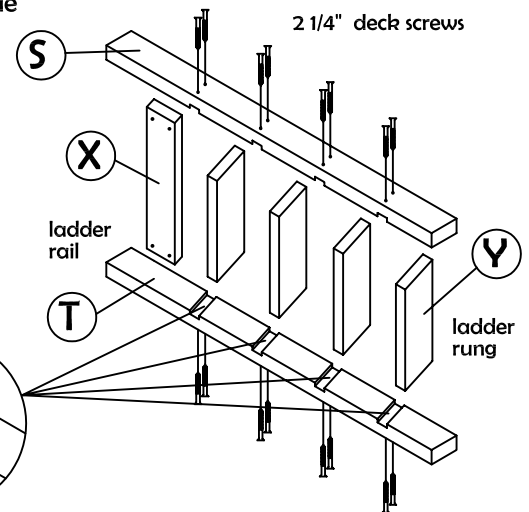
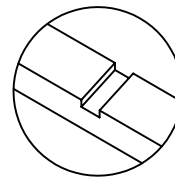
Ladder rung



Ladder support



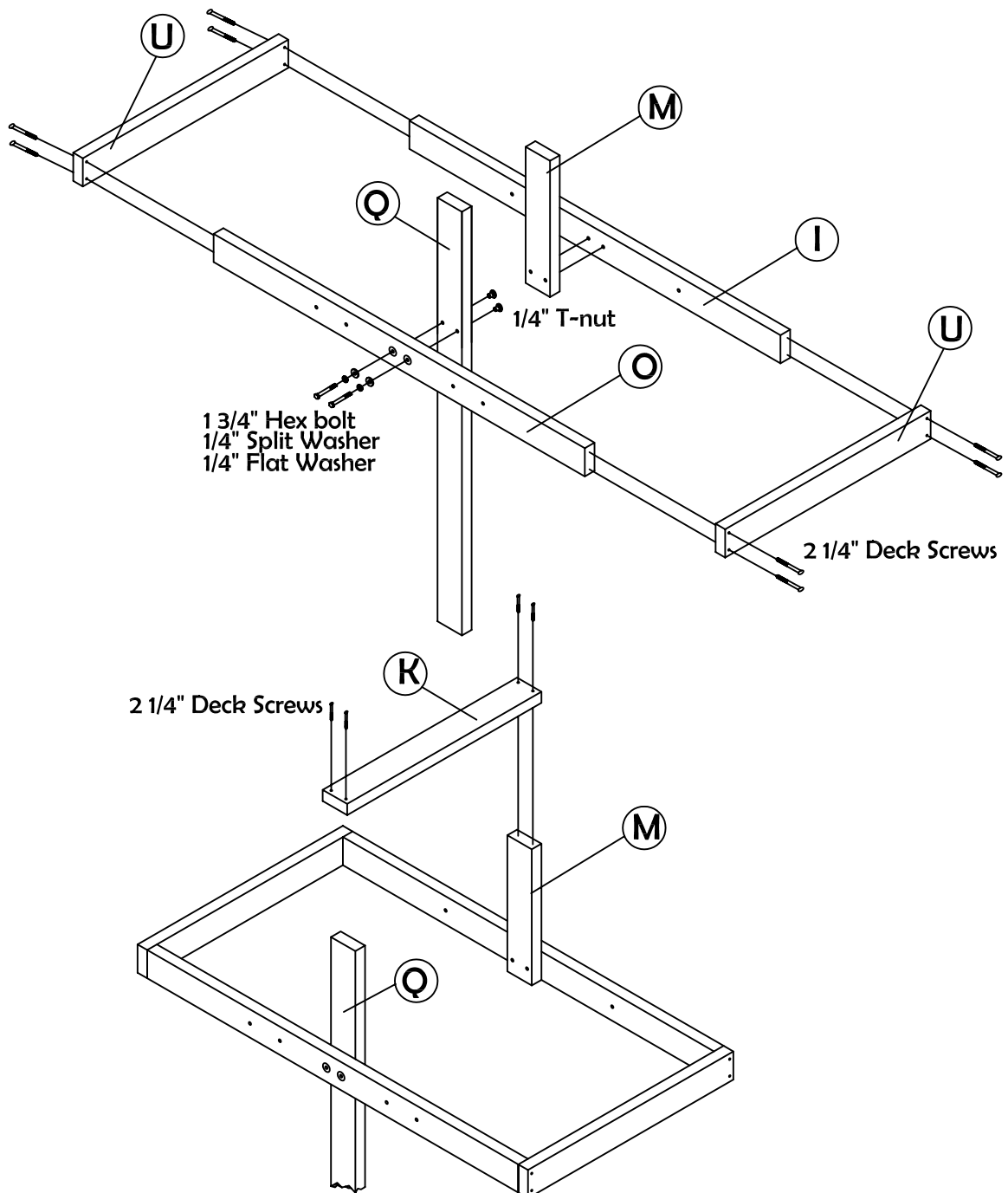
Dado Cuts



Deck Ladder Detail

# PHASE 7

- Step 1:** Gather Tarp Upright 'M', Tarp Upright 'Q', Monkey Bar Cross Brace 'O', Tarp Cross Brace 'I', (2) Tarp End Caps 'U' & Tarp Support 'K'.
- Step 2:** Attach Tarp Upright 'M' to Cross Brace 'I' with 1 3/4" Hex Bolts as shown.
- Step 3:** Attach Tarp Upright 'Q' to Cross Brace 'O' with 1 3/4" Hex Bolts as shown.
- Step 4:** Attach Tarp End Caps 'U' to Cross Brace 'I' & 'O' with 2 1/4" Deck Screws.
- Step 5:** Attach Tarp Support 'K' to Tarp Uprights 'M' & 'Q' with 2 1/4" Deck Screws.



# PHASE 8

**Step 1:** Gather (3) Fort/Rockwall Supports 'R'.

**Step 2:** Hammer a T-nut into upper end of each upright through pre-drilled hole on inside of fort where shown.

**Step 3:** Attach Tarp Assembly to Uprights with 4 1/4" Hex Bolts through pre-drilled holes into previously inserted T-nuts. Attach to Monkey Bar Cross brace 'O' to the same uprights as Ground Beam 'E'.

Secure Tarp upright 'Q' to wall rail 'J' with (2) 1 3/4" deck screws as shown. Secure Tarp upright 'M' to Cross Brace 'I' with (2) 1 3/4" deck screws.

**Step 4:** Hammer T-nuts to inside of floor supports 'V' under floor and attach Fort/Rockwall supports (R) to Uprights 'A' through offset pre-drilled holes with 4" Hex Bolts. (see Fig.4)

**Step 5:** Attach Fort/Rockwall Supports 'R' to Ground Beam 'E' and Rockwall Ground beam 'H' through pre-drilled holes with 1 3/4" Hex Bolts.

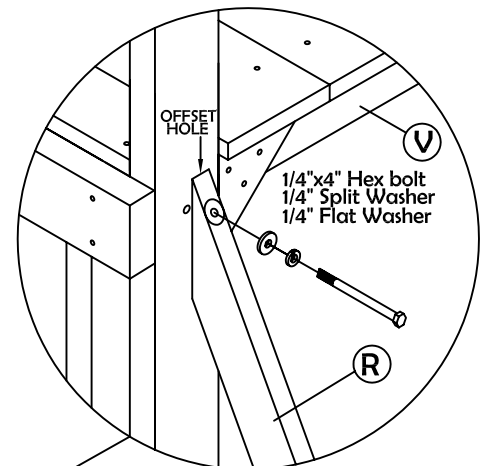
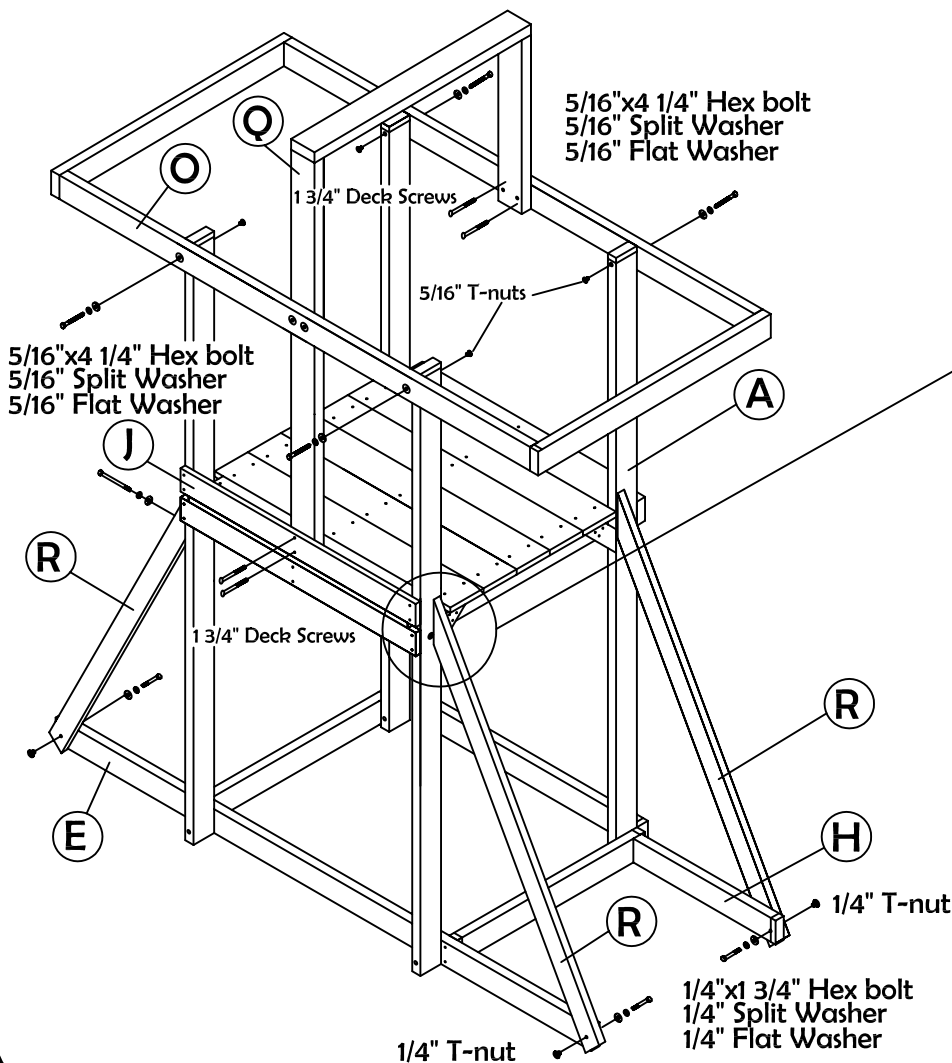


FIG. 4



# PHASE 9

**Step 1:** Gather Top Ladder 'B', End Ladder 'C', (2) Triangle Braces & (1) Bottle of SuperLock Nutlock®

**Step 2:** Secure Top Ladder Rails & End Ladder Rails with Barrel Bolts & Threaded Rods. (See fig. 5 & fig. 6)

**Note:** Insert one end of Threaded Rod into Barrel Bolt. Place 2 drops of Superlock Nutlock® on each end of Threaded rod. Place Fender Washer and Split Washer on bolt, then insert through rung and install fender washer, split washer and second Barrel Bolt. Tighten both ends. (do this for each rung) \*see installation tip below\*

**Note:** Top Ladder Threaded Rod: Long Rod  
End Ladder Threaded Rod: Short Rod

**Step 3:** Attach Triangle Braces to Top Ladder with hardware specified in fig. 7.

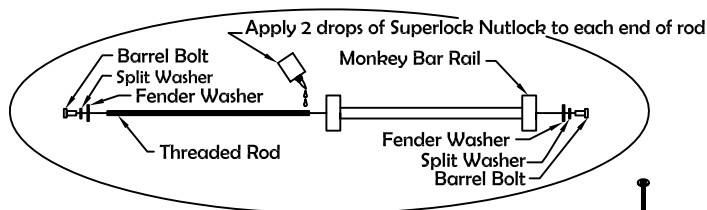


FIG. 5

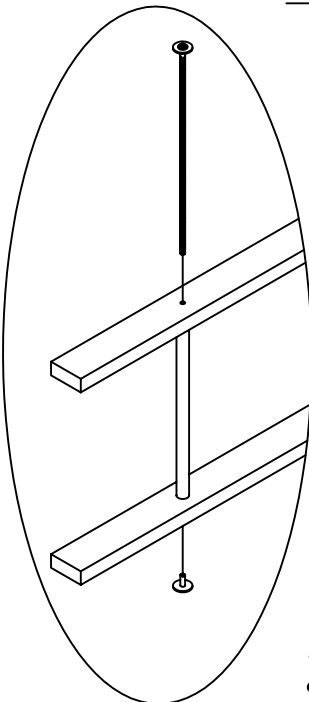
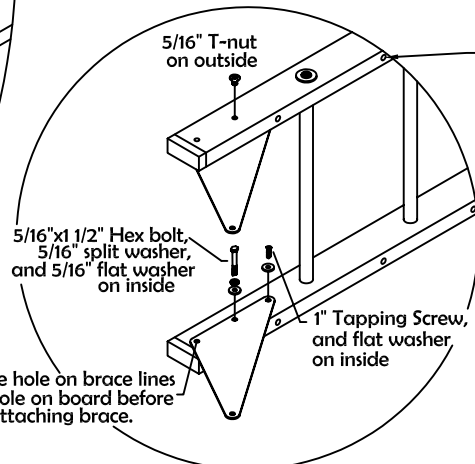
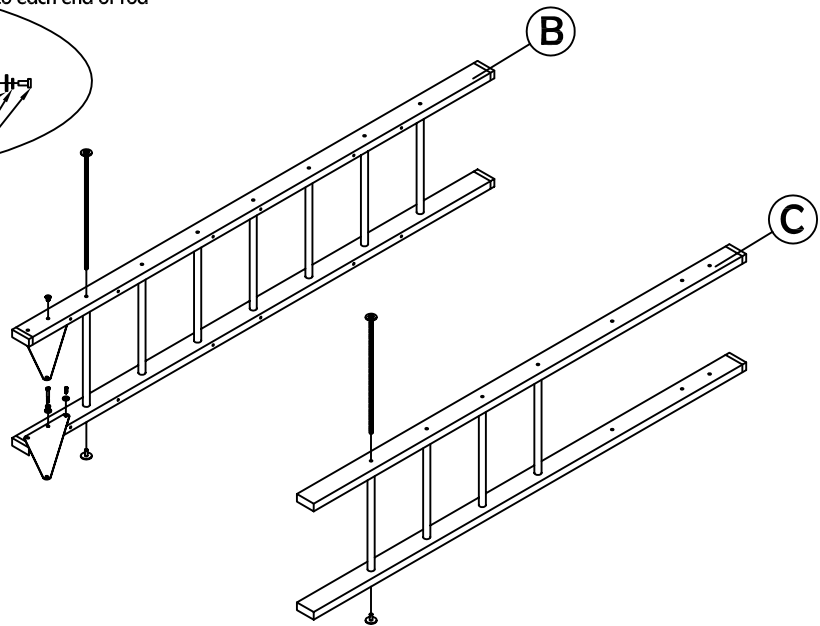


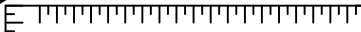
FIG. 6



Make sure hole on brace lines up with hole on board before attaching brace.

FIG. 7

**Note:** Pilot holes for swing hanger should be on this side.



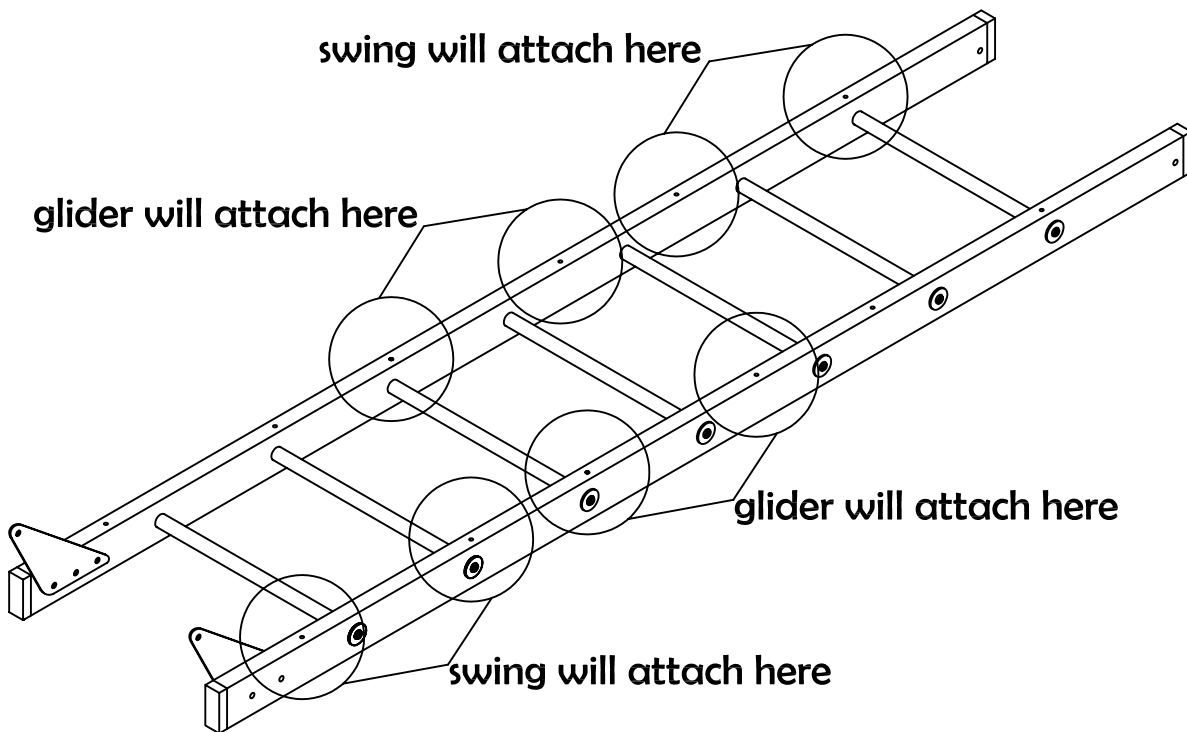
**\*INSTALLATION TIP\***

Threaded Rod insertion is made easier when barrel bolt is only placed on rod approximately 2 threads and monkey bar is placed on its side as shown. Rod should drop into hole on other side with just a few tries, then start other barrel bolt and tighten both ends.

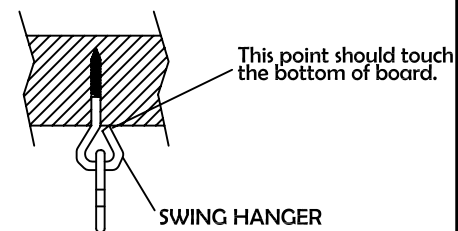
# PHASE 10

Step 1: Screw Lag Screw Swing Hangers into pilot holes on top ladder in pattern as shown below.

Put Swing Hangers in circled holes.



## HARDWARE ILLUSTRATION: SWING HANGER



The Lag Screw Swing Hanger must be screwed in so that the tip of the swing hanger is touching the receiving board.  
NOTE: Triangular bend on swing hanger must run parallel with board

# PHASE 11

**Step 1:** Gather Ladder assemblies, (2) Angle Braces 'P' and Ground Beam 'D'.

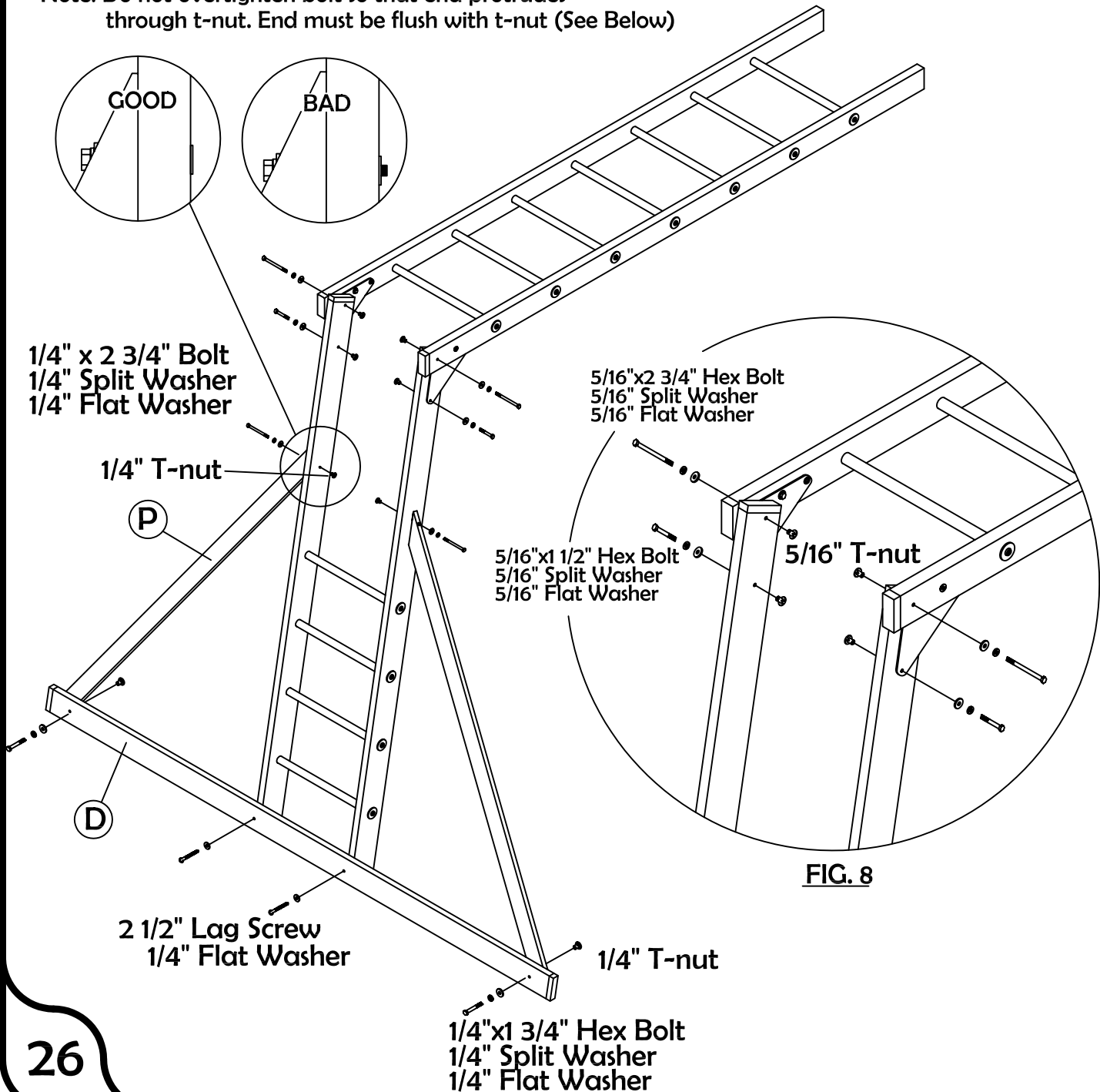
**Step 2:** Attach End Ladder to Top Ladder with Triangle Braces through pre-drilled holes. (See fig. 8 for hardware)

**Step 3:** Attach Angle Braces 'P' to Ground Beam 'D' as shown.

**Step 4:** Attach Angle Braces 'P' to end ladder as shown.

**Step 5:** Attach Ground Beam 'D' to End Ladder with 2 1/2" Lag Screws.

**Note:** Do not overtighten bolt so that end protrudes through t-nut. End must be flush with t-nut (See Below)



# PHASE 12

**Step 1:** Attach (4) L-Brackets to Monkey bar cross brace 'O' with 5/16" x 1 1/4" hex bolts. See Fig. 9. Tighten only after all bolts are in place.

**Step 2:** Attach Monkey Bar to unit through L-Brackets with 5/16" x 2" Hex Bolts See Fig. 10.

**Step 3:** Attach Adventure Playsets ID Sticker to outside of monkey bar as shown.

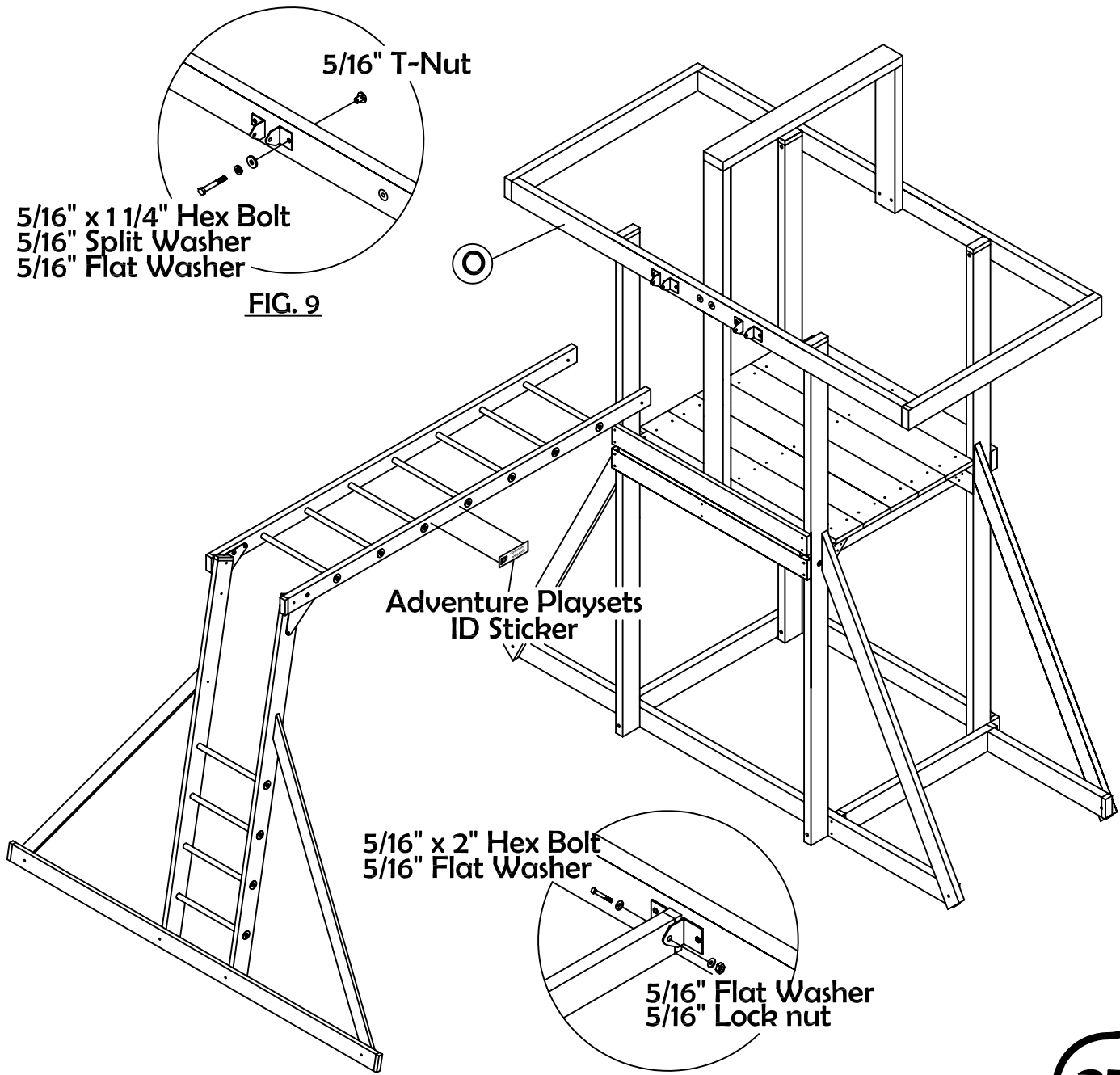


FIG. 9

FIG. 10

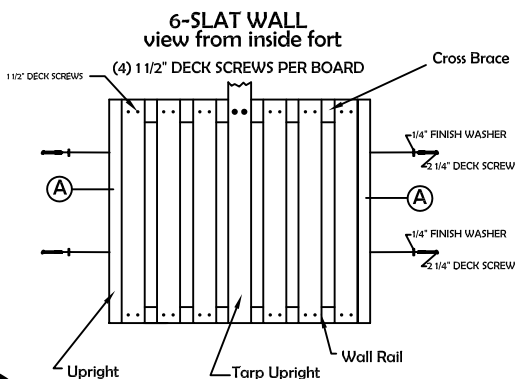
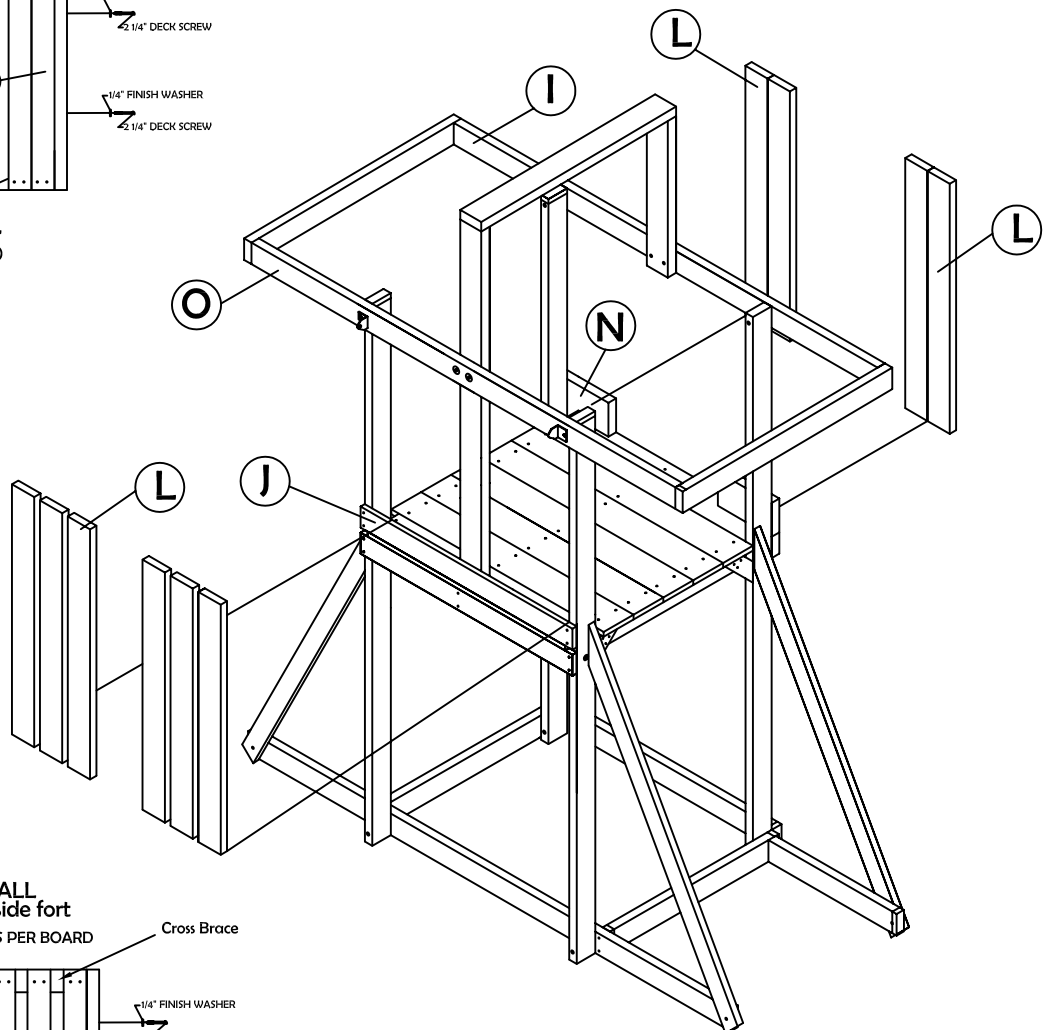
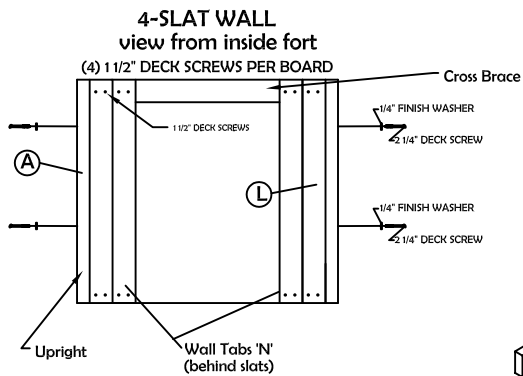
# PHASE 13

**Step 1:** Gather (10) Wall Slats 'L'.

**Step 2:** Attach (1) wall slat 'L' to each upright 'A' with (2) 2 1/4" deck screws and finish washers as shown in wall details.

**Step 3:** Attach (4) wall slats to cross brace 'I' and wall tabs 'N' with 1 1/2" deck screws as shown.

**Step 4:** Attach (6) wall slats to monkey bar cross brace 'O' and wall rail 'J' with 1 1/2" deck screws as shown.



**Note:** Monkey Bar not shown for better view.

# PHASE 14

Step 1: Drape tarp over tarp support 'K' and end caps 'U'. Attach to inside of end caps 'U' with (3) 1" tapping screws per side. See Fig. 11 & 12.

Step 2: Make sure all bolts are tight.

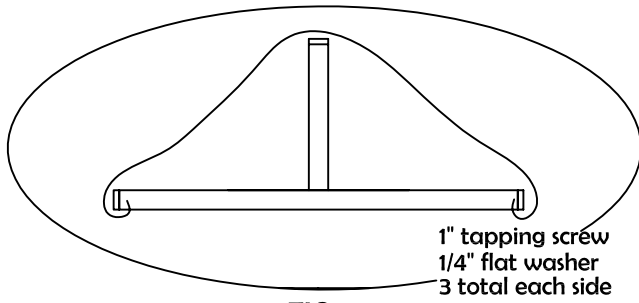


FIG. 11

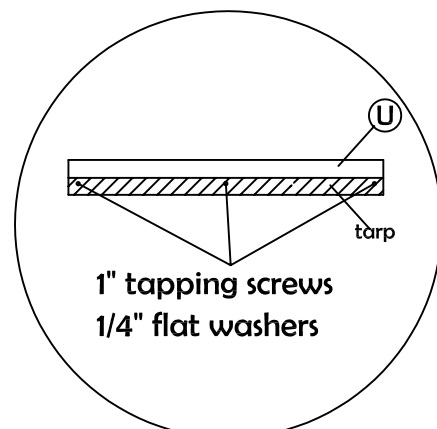
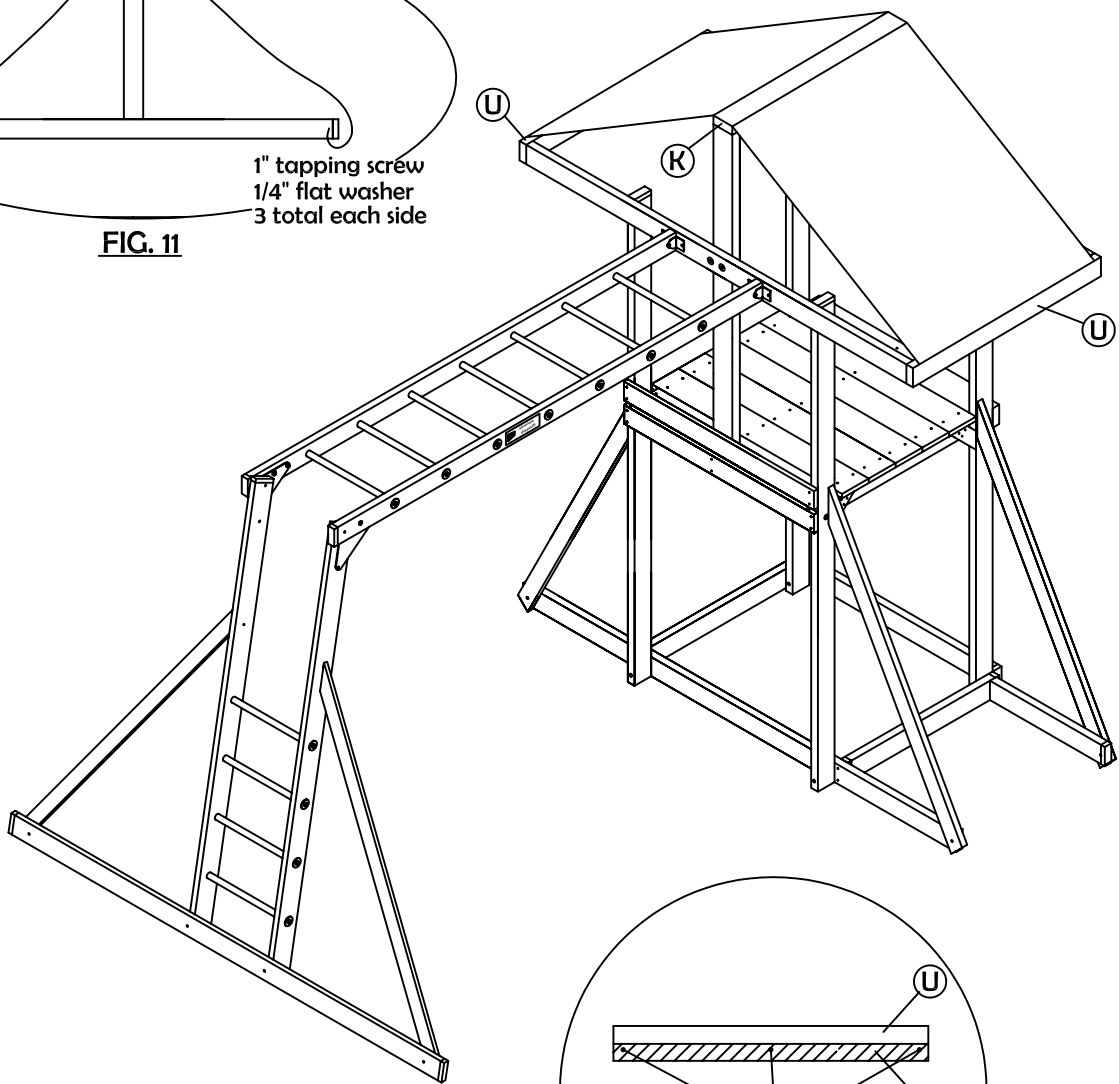


FIG. 12

# PHASE 15

**Step 1:** Gather (7) Rockwall Boards 'AC' and (2) pair yellow grab handles.

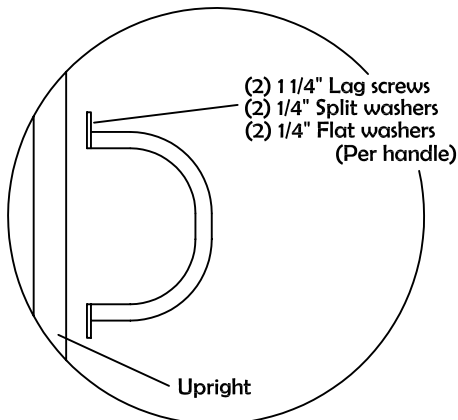
**Step 2:** Attach T-nuts to back side of rockwall boards with a hammer.

**Step 3:** Attach Rockwall Boards to Rockwall Braces with 2 1/4" deck screws.

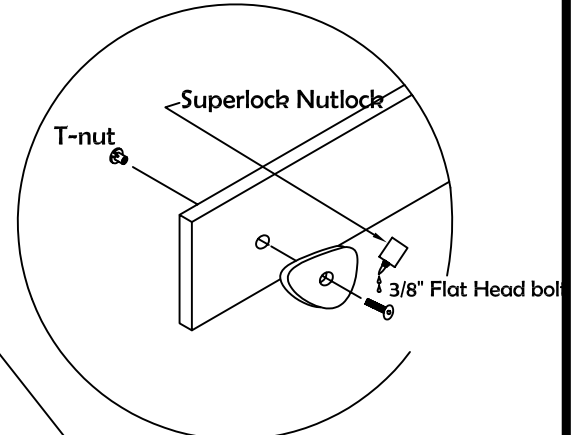
Start by placing (1) rockwall board on top of ground beams 'E' and 'H' and work up to attaching top rockwall board. Space each board 2" apart and alternate position of rock from left side to right side as shown.

**Step 4:** Apply (2) drops of Superlock Nutlock to ends of Rock bolts and attach rocks with 3/8" rock hardware by using provided Allen wrench. (See Fig. 13)

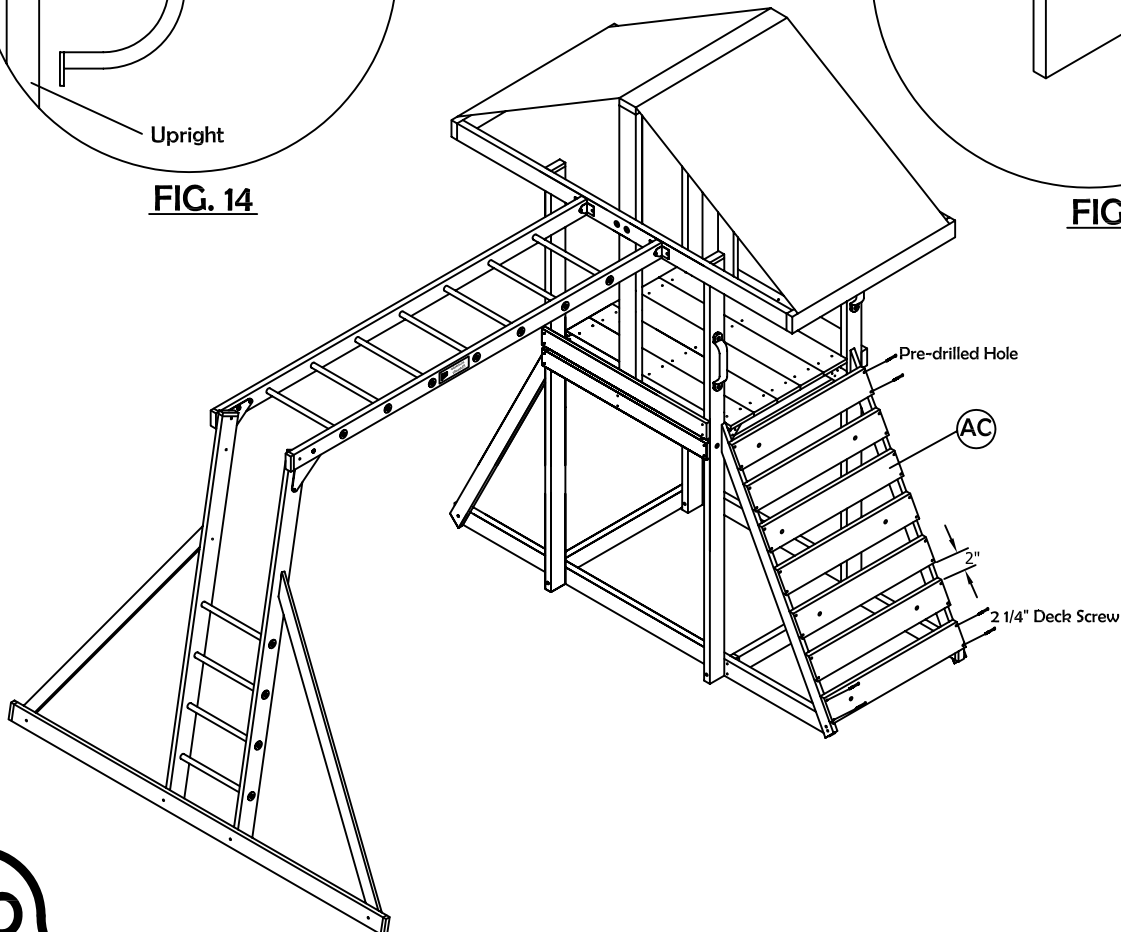
**Step 5:** Attach the (2) yellow grab handles to the uprights 15" down from top of upright to top of handle with hardware as shown. (see Fig. 14) Place one pair of handles above rockwall and the other pair on inside wall slats above deck ladder.



**FIG. 14**



**FIG. 13**



# PHASE 16

**Step 1:** Attach the S-hooks to the swing seats. Slide the bigger end of the S-hook into the hole located on swing seat. Close S-hook with hammer as shown in Fig. 15.

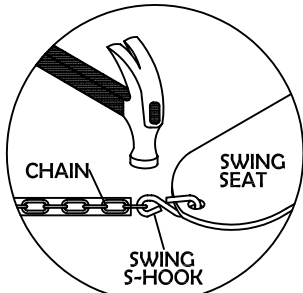
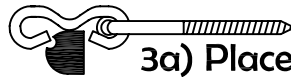


FIG. 15

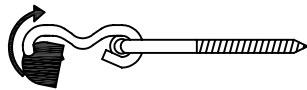
**Note:** The bigger opening on the S-hook will be the end that will attach to the swing seat.

**Step 2:** Attach 57" chain to smaller end of S-hook and close with hammer.

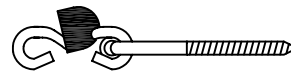
**Step 3:** Attach plastic swing hanger cover to swing hanger as shown below.



3a) Place swing hanger through opening of cover.

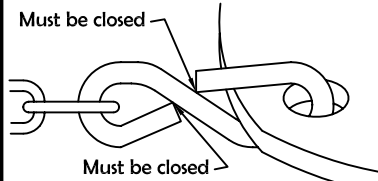


3b) Work cover around the curves of the swing hanger



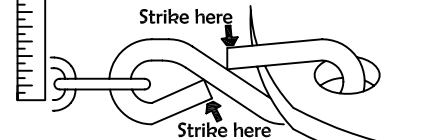
3c) Loop chain over swing hanger, flip cover over and place over opening.

## HARDWARE ILLUSTRATION: 'S'-HOOK



NOTE: FOR YOUR CHILD'S SAFETY, MAKE SURE THAT THE HOOKS ARE COMPLETELY CLOSED AND THE CHAINS DO NOT PULL OFF THE HOOKS.

## \*INSTALLATION TIP\*



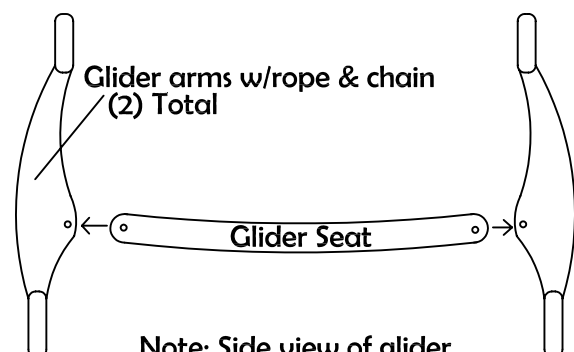
When closing S-Hook, strike hook on outermost edge. Its not how hard you strike the hook, but consistent hammering heats the metal and closes the hook.

# PHASE 17

**Step 1:** Insert glider seat into glider arms & attach w/ (2) 6 1/4" hex bolts, (4) 5/16" flat washers & (2) 5/16" lock nuts.

**Step 2:** After assembly is complete, attach glider to swing hangers located on monkey bar. (see Phase 9)

**Note:** You may need to adjust the height of the glider with the chain so that the glider is at least 8" off the ground.



Note: Side view of glider



